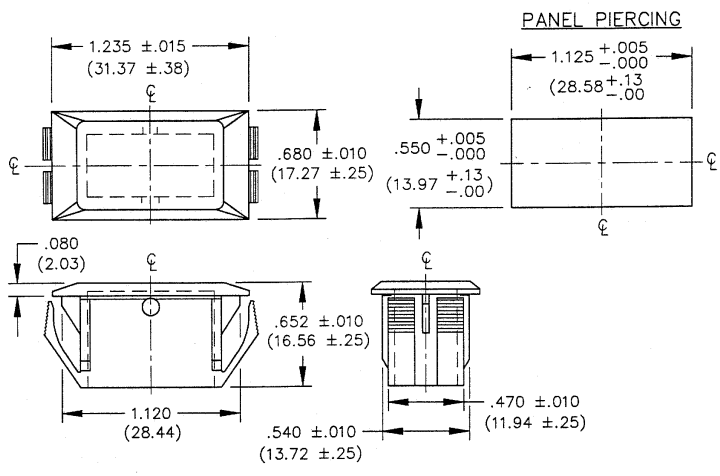


DIMENSIONS IN INCHES (MILLIMETERS)
DO NOT SCALE DRAWING

Dwg. No.
GIL-2000-2010



1 2 3 4 5 6 7 8 9 10

FORM-B4	REVISIONS	0
	RELEASED	0
	DCW	AUG 17 2000

CW INDUSTRIES
Southampton, Pa. 18966

TOLERANCES UNLESS OTHERWISE SPECIFIED

2 Place Decimal ±.010	METRIC
3 Place Decimal ±.005	1 Place Dec. ±.25mm
Angle ±1°	2 Place Dec. ±.13mm

Made for: CW IND.
 Drawn by: DCW 8-16-2000
 Checked by: G. Gold 8-16-00
 Approval: *A. J. ...* 8-16-00

Title:	UNIBODY HOUSING BLANK ASSEMBLY
Division:	SWITCH
Dwg. No.	GIL-2000-2010