

TR series

Tiny washable rocker switches

Distinctive features and specifications



- Sealed**
 - Single piece case
 - O-ring seal between actuator and bushing
 - Epoxy sealed terminals
- Wide variety of contact materials**
- Same PCB layout as tiny toggle (TL), pushbutton (TP) and slide switches (TG)**

ELECTRICAL SPECIFICATIONS

- Max. current/voltage rating with resistive load :
 - gold plated contacts : 0,4VA 20V max. AC or DC
 - silver plated contacts : 0,5A 48V max. AC or DC
- Minimum load : 10mA 50mV - 10 μ A 5VDC
- Contact resistance : 20 m Ω max.
- Insulation resistance : 1.000 M Ω min. at 500VDC
- Dielectric strength :
 - 1.000 Vrms 50 Hz min. between terminals and frame
 - 500 Vrms 50 Hz min. between terminals
- Electrical life at full load :

Contacts	Number of cycles	
	2 positions	3 positions
Gold plated	60.000	30.000
Silver plated	20.000	10.000

MATERIALS

- Case : PBT
- Actuator : polyamide
- Contacts and terminals :
 - 0** : brass, gold plated
 - 1** : brass, silver plated
 - 3** : brass, gold plated (1,27 micron gold)
 - 8** : contact brass, gold plated + tin plated terminals
 - 9** : contact brass, gold plated (1,27 micron gold) + tin plated terminals
- Terminal seal : epoxy

GENERAL SPECIFICATIONS

- Strength of terminals : pull-out force - 10N max.
- Operating temperature : -30°C to +85°C
- Moisture : 21 days 95 % (NFC 20-603 - IEC 68-2-3)
- Cleaning : solvents or water + detergent
- Wave soldering : 260°C - 5 sec.

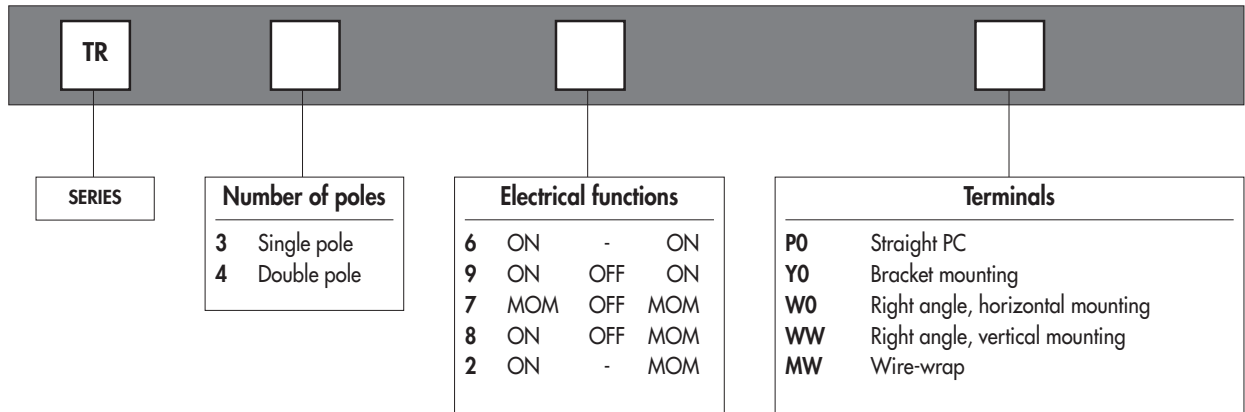
D

TR series

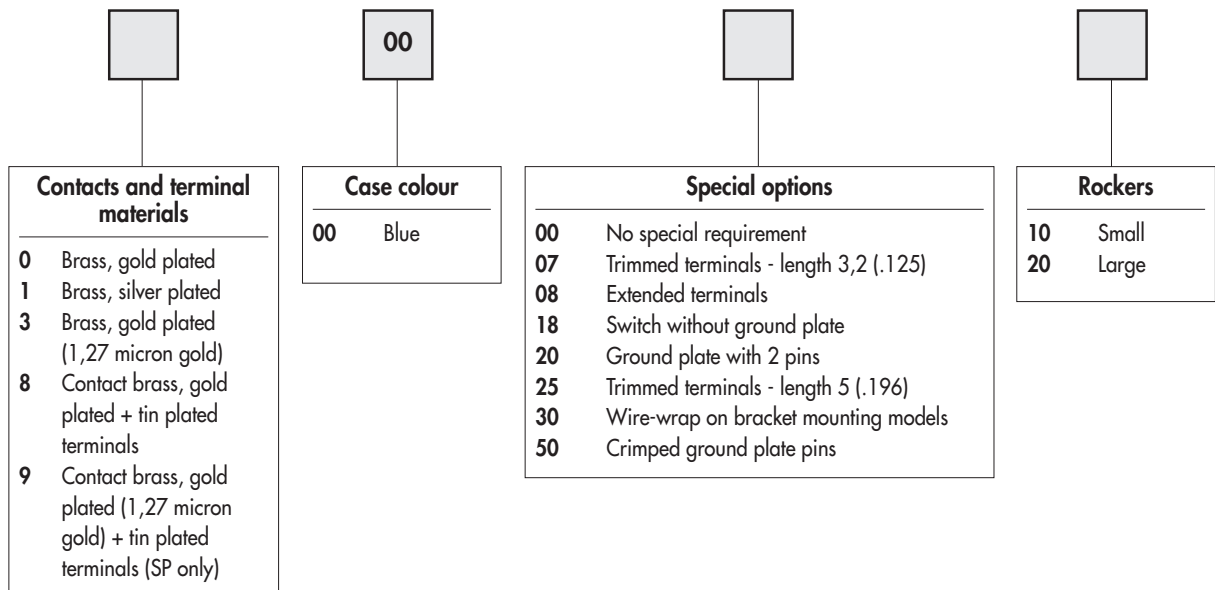
Tiny washable rocker switches

Overview

MODEL
STRUCTURE



OPTIONS



ABOUT THIS SERIES

On the following pages, you will find successively :

- model structure of switches
- options in the same order as in above chart

Dimensions : first dimensions are in mm while inches are shown as bracketted numbers.



NOTICE : please note that not all combinations of above numbers are available. Refer to the following pages for further information.

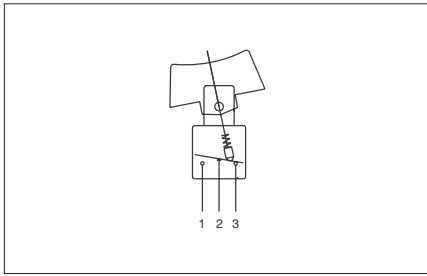


Packaging unit : 50 pieces.

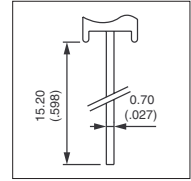
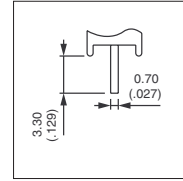


TR series

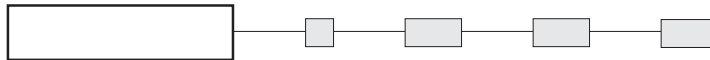
Tiny washable rocker switches



- Straight PC, right angle or wire-wrap terminals
- 1 and 2 pole configurations



MODEL STRUCTURE

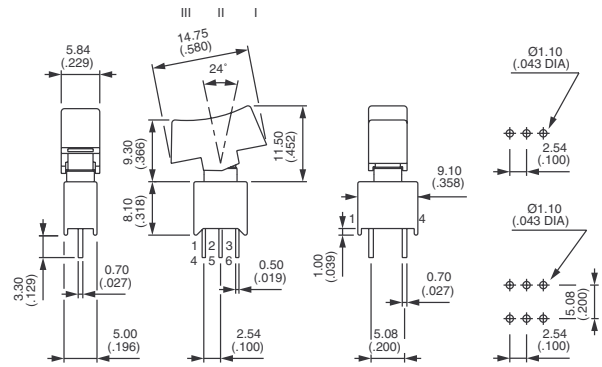


Shown with small rocker (code 10)

Straight PC terminals : TR..PO



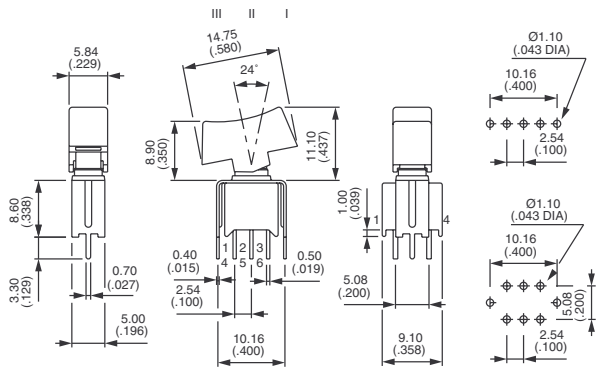
	Single pole	Double pole	III	II	I
TR36PO	TR46PO	ON - ON			
TR39PO	TR49PO	ON OFF ON			
TR37PO	TR47PO	MOM OFF MOM			
TR38PO	TR48PO	ON OFF MOM			
TR32PO	TR42PO	ON - MOM			



Straight terminals - bracket mounting : TR..YO



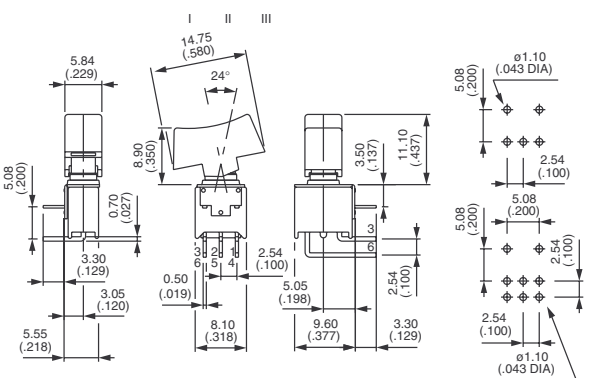
	Single pole	Double pole	III	II	I
TR36YO	TR46YO	ON - ON			
TR39YO	TR49YO	ON OFF ON			
TR37YO	TR47YO	MOM OFF MOM			
TR38YO	TR48YO	ON OFF MOM			
TR32YO	TR42YO	ON - MOM			



Right angle terminals - horizontal mounting : TR..WO



	Single pole	Double pole	III	II	I
TR36WO	TR46WO	ON - ON			
TR39WO	TR49WO	ON OFF ON			
TR37WO	TR47WO	MOM OFF MOM			
TR38WO	TR48WO	ON OFF MOM			
TR32WO	TR42WO	ON - MOM			



TR series

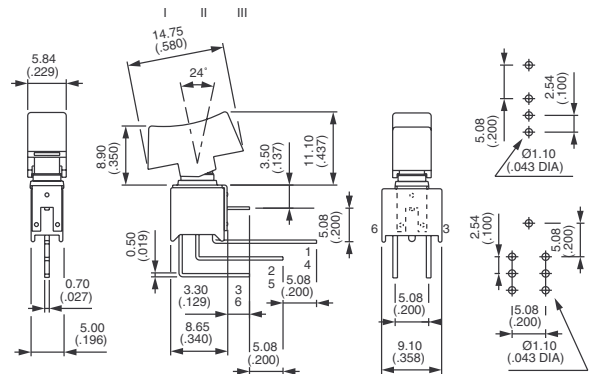
Tiny washable rocker switches



Right angle terminals - vertical mounting : TR..WW



Single pole	Double pole	III	II	I
TR36WW	TR46WW	ON	-	ON
TR39WW	TR49WW	ON	OFF	ON
TR37WW	TR47WW	MOM	OFF	MOM
TR38WW*	TR48WW*	ON	OFF	MOM
TR32WW*	TR42WW*	ON	-	MOM

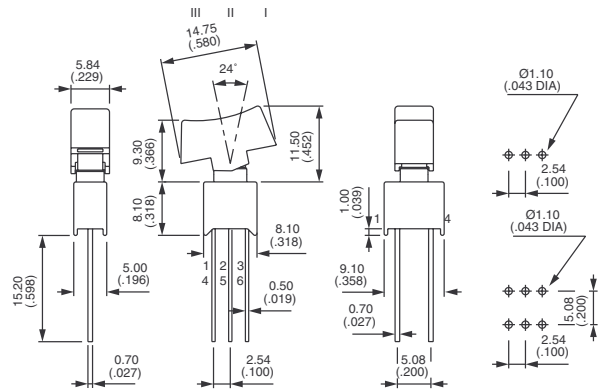


* Functions 2 and 8 : reversed connection available . Consult factory.

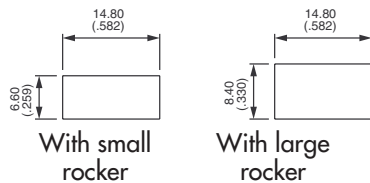
Wire-wrap terminals : TR..MW



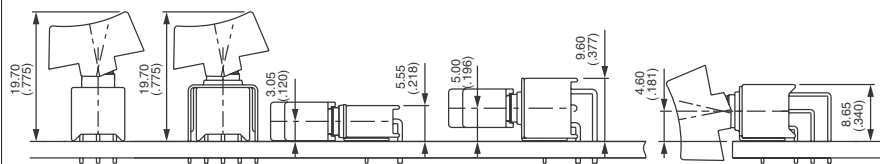
Single pole	Double pole	III	II	I
TR36MW	TR46MW	ON	-	ON
TR39MW	TR49MW	ON	OFF	ON
TR37MW	TR47MW	MOM	OFF	MOM
TR38MW	TR48MW	ON	OFF	MOM
TR32MW	TR42MW	ON	-	MOM



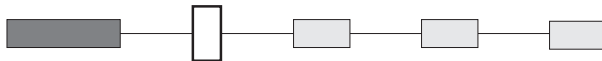
PANEL CUT-OUT



PCB MOUNTING

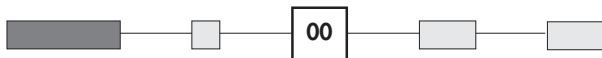


CONTACT AND TERMINAL MATERIALS



- 0 Brass, gold plated
- 1 Brass, silver plated
- 3 Brass, gold plated (1,27 micron gold)
- 8 Contact brass, gold plated + tin plated terminals
- 9 Contact brass, gold plated (1,27 micron gold) + tin plated terminals (single pole only)

CASE COLOUR



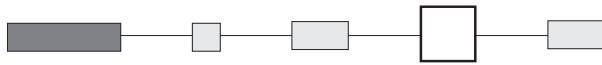
- 00 Blue



TR series

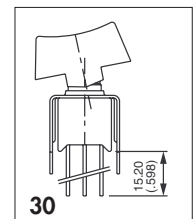
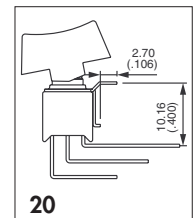
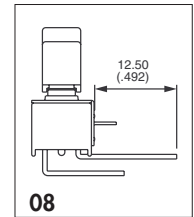
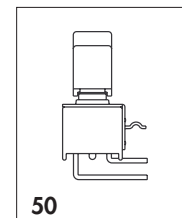
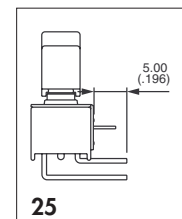
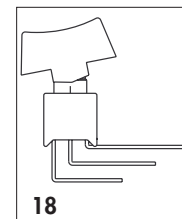
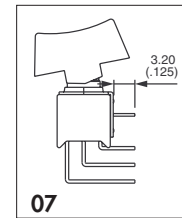
Tiny washable rocker switches

SPECIAL OPTIONS

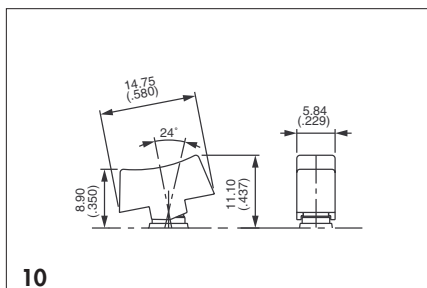
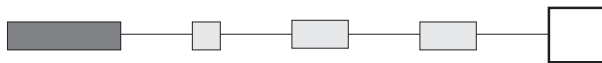


- 00 No special requirement
- 07 **Trimmed terminals** - length 3,2 mm (.125) for TR..WW models only
- 08 **Extended terminals** for TR..WO models only
- 18 Switch **without ground plate** for TR..WW models only
- 20 **Ground plate with 2 pins** for TR..WW models only
- 25 **Trimmed terminals** - length 5 mm (.196) for all models, except TR..WW
- 30 **Wire-wrap terminals** on models with mounting bracket
- 50 **Crimping of ground plate pins.**
Retains switch on PCB during handling and wave soldering.
For models TR..WO, TR..WW and TR..YO single and double pole.

Marking on rocker : consult factory.

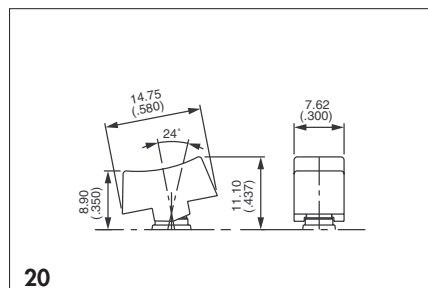


ROCKERS



10

Small



20

Large

Rocker colours

Replace "0" by number

- 1 blue
- 1/4 dark blue
- 2 black
- 3 green
- 4 grey
- 5 yellow
- 6 red
- 7 ivory
- 7/1 white
- 9 orange