

# New! HB SERIES SNAP-IN ROCKER SWITCHES

N

## FEATURES

- Soft light or standard illuminated and non-illuminated models.
- Single pole maintained action models with splash protection per IP42.
- Actuator and case color selections.
- Standard actuator marking options with optional visible (visi) rocker 'ON' indication.

## SPECIFICATIONS

|                                     |  |
|-------------------------------------|--|
| <b>Contact ratings:</b>             | 20A 125VAC or 16A 250VAC (UL/CSA) 3/4 HP 125VAC or 250VAC (UL/CSA)<br>6A 125VL (UL) 16(4)A 250VAC~ μT85 (VDE, SEMCO, DEMCO, NEMCO, FEMKO, SEV) |
| <b>Initial contact resistance:</b>  | 20 milliohms max.  |
| <b>Insulation resistance:</b>       | 100 megohms min. at 500 V  |
| <b>Dielectric strength:</b>         | 1000 VAC for 1 minute  |
| <b>Electrical life:</b>             | 10,000 cycles at full load   |
| <b>Operating temperature range:</b> | -20°C to 85°C  |

## MATERIALS

|                   |                                     |               |                      |
|-------------------|-------------------------------------|---------------|----------------------|
| <b>Contacts:</b>  | Silver cadmium alloy                | <b>Lamps:</b> | Neon or fluorescent. |
| <b>Terminals:</b> | Silver plated copper                |               |                      |
| <b>Actuator:</b>  | Nylon, type 66 or PC (UL94V-2 min.) |               |                      |
| <b>Case:</b>      | Nylon, type 66 (UL94V-2 min.)       |               |                      |

## AGENCY RECOGNITION



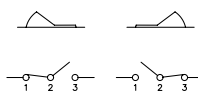
UL, CSA, VDE, SEMKO, NEMKO, DEMKO, FEMKO, & SEV. Models are supplied with agency markings.

## Quick connect terminals - non-illuminated - with visi rocker

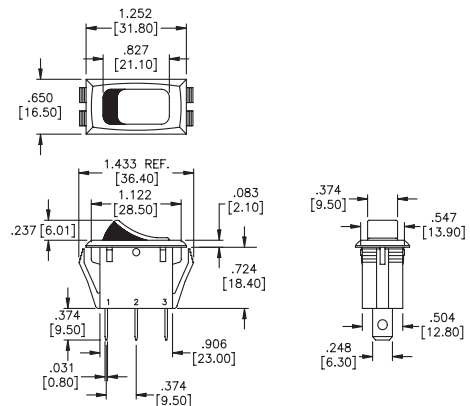


| MODEL NO.    | CIRCUIT   |
|--------------|-----------|
| HB110C2NBBRW | ON OFF    |
| HB120C2NBBRW | ON ON     |
| HB130C2NBBRW | ON OFF ON |

Above models have black actuator.



Max. panel thickness: .083 [2.10]



SPECIFICATIONS SUBJECT TO CHANGE WITHOUT NOTICE

# New! HB SERIES SNAP-IN ROCKER SWITCHES

**Additional ordering information:** Commonly ordered models are shown above with complete model numbers and specifications. Below is an order format that enables you to 'build your own switch' and specify the correct switch model number by simply selecting from all available options shown and filling in the boxes.

## 'BUILD YOUR OWN SWITCH' ORDER FORMAT

Fill in boxes with selections shown for complete model number.

Allowable options are shown below each respective box.

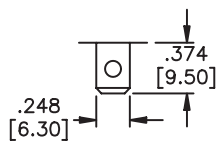
Note 'NONE' indicates box may be left empty.

|   |  |   |   |  |   |
|---|--|---|---|--|---|
| <b>Series</b>   | <b>Number of poles</b>                           | <b>Electrical functions</b>   | <b>Terminals</b>  | <b>Actuator type</b>   | <b>Actuator marking</b>   |
| <input type="text" value="H"/> <input type="text" value="B"/> | <input type="text" value="1"/>                   | <input type="text"/>  | <input type="text" value="0"/>  | <input type="text" value="C"/>   | <input type="text"/>  |
|   | Single pole                                      | 1 ON OFF<br>2 ON ON<br>3 ON OFF ON  | Quick connect   | Curved rocker  | 1 HI LO<br>2 No marking<br>3 ON OFF (vertical)<br>4 O I<br>5 O —<br>6 ON OFF (horizontal) |
| <b>Illumination</b>   | <b>Case color</b>                                | <b>Actuator color</b>   | <b>Actuator style</b>   | <b>Sealing</b>   |   |
| <input type="text"/>  | <input type="text"/>                             | <input type="text"/>  | <input type="text"/>  | <input type="text"/>   |   |
| N No illum.<br>L Illuminated                                  | A Gray<br>B Black<br>C Brown<br>R Red<br>W White | A Gray<br>B Black<br>C Brown<br>G Green<br>O Orange<br>R Red<br>W White<br>Y Yellow | R Red (visi rocker)<br>N No visi rocker<br>Note: R not available with illumination. | (NONE)<br>W Splash protected -case is designed to conduct moisture drops outside the switch case and away from the contact mechanism (available on non-illuminated models only). |   |
|   |  |   |   |  | Example of completely specified model number:<br><b>HB110C2NBBRW</b>                      |

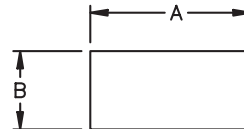
SPECIFICATIONS SUBJECT TO CHANGE WITHOUT NOTICE

### TERMINALS

#### QUICK-CONNECT



### PANEL CUT-OUTS



| pnl. tk'ness. | A +0, -.004 | B +0, -.004 |
|---------------|-------------|-------------|
| .029-.049"    | 1.126"      | .539"       |
| .050-.078"    | 1.134"      | .539"       |
| .079-.118"    | 1.150"      | .539"       |