

4

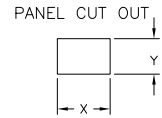
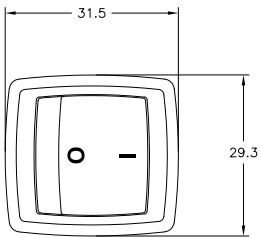
3

2

1

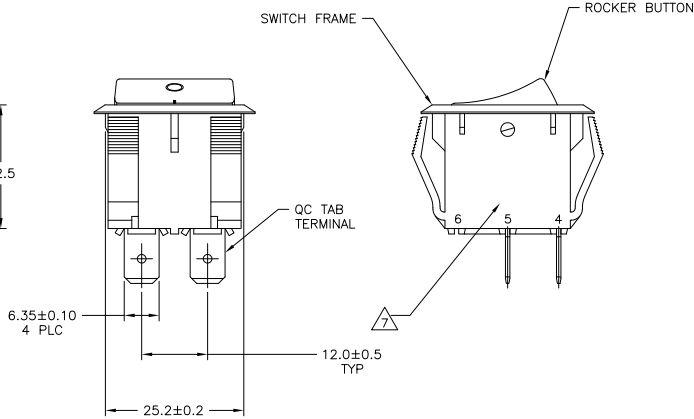
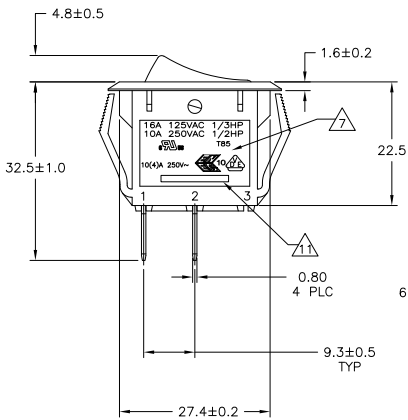
THIS DRAWING IS UNPUBLISHED. RELEASED FOR PUBLICATION. BY TYCO ELECTRONICS CORPORATION. ALL RIGHTS RESERVED.

| LOC | DIST | REVISIONS                 |         |        |
|-----|------|---------------------------|---------|--------|
| F   | LNK  | DESCRIPTION               | DATE    | BY     |
| AD  | 00   |                           |         |        |
|     | F1   | REVISED PER ECO-10-005254 | 18MAR10 | HMR NE |



|                 |          |          |
|-----------------|----------|----------|
| 5.00-6.30       | 28.6-0.1 | 25.4+0.1 |
| 3.00-5.00       | 28.0-0.1 | 25.4+0.1 |
| 0.75-3.00       | 27.6-0.1 | 25.4+0.1 |
| PANEL THICKNESS | X        | Y        |

SWITCH FUNCTION A1  
CIRCUIT DIAGRAM



1571103-2 SHOWN

| DIMENSIONS: |        | TOLERANCES UNLESS OTHERWISE SPECIFIED: | DATE             | 07/19/04                                      |
|-------------|--------|----------------------------------------|------------------|-----------------------------------------------|
| MM          | 0 PLC  | ±                                      | DRW              | ISSY                                          |
|             | 1 PLC  | ± 0.30                                 | CHK              | J. MOSIER                                     |
|             | 2 PLC  | ± 0.05                                 | APP              | JIP                                           |
|             | 3 PLC  | ±                                      | NAME             | TYCO ELECTRONICS                              |
|             | 4 PLC  | ±                                      | PRODUCT SPEC     | POWER ROCKER SWITCH, 25.4mm X 27.6mm          |
|             | ANGLES | ±                                      | APPLICATION SPEC | PANEL CUT-OUT SIZE, DOUBLE POLE, SINGLE THROW |
| MATERIAL    |        |                                        | NOT APPLICABLE   | FOUR TERMINALS, NON-ILLUMINATED               |
| FINISH      |        |                                        | NOT APPLICABLE   |                                               |
|             |        |                                        | SIZE             | A2 00779 C=1571103                            |
|             |        |                                        | RESTRICTED TO    |                                               |
|             |        |                                        | WEIGHT           |                                               |
|             |        |                                        | CUSTOMER DRAWING | SCALE 2:1 SHEET 1 OF 2 REV F1                 |

AMP 1471-9 REV 31MMR2000

1571103

A

4

3

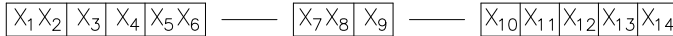
2

1

THIS DRAWING IS UNPUBLISHED. RELEASED FOR PUBLICATION  
 BY TYCO ELECTRONICS CORPORATION. ALL RIGHTS RESERVED.

| LOC | DIST | REVISIONS   |      |    |      |
|-----|------|-------------|------|----|------|
| F   | LNK  | DESCRIPTION | DATE | BY | APPD |
| -   | -    | SEE SHEET 1 | -    | -  | -    |

LEGACY PART NUMBER



SWITCH TYPE:  $X_1 X_2 = PR$  - POWER ROCKER

SECONDARY ROCKER COLOR:  $X_{12} = \emptyset$  - NOT APPLICABLE

NOMINAL PANEL CUT OUT SIZE:  $X_3 = D$  - 25.4x27.6

NUMBER OF POLES:  $X_4 = D$  - DOUBLE

SWITCH FUNCTION:  $X_5 X_6 = A1$  - ON-OFF, WITH OPAQUE, SINGLE-COLOR ROCKER BUTTON.

LEGEND TEXT PATTERN:  $X_{13} =$

CURRENT RATING:  $X_7 X_8 = 16$  -  $\Delta$

TERMINAL TYPE:  $X_9 = E$  - QC TAB



FRAME COLOR:  $X_{10} = B$  - BLACK  
 $W$  - WHITE

LEGEND TEXT COLOR:  $X_{14} = \emptyset$  - NOT APPLICABLE

ROCKER COLOR:  $X_{11} = B$  - BLACK  
 $G$  - GREEN  
 $R$  - RED  
 $W$  - WHITE



**1. MATERIALS:**  
 ROCKER BUTTON & HOUSING: NYLON 66, UL 94 V-2.  
 TERMINAL, ACTIVE CONTACTOR: COPPER ALLOY PER ASTM B152/B152M  
 PLUNGER: COPPER ALLOY PER ASTM B036  
 SPRING: STEEL WIRE PER ASTM A228/A228M  
 CONTACT: SILVER-TIN OXIDE

**5. ENVIRONMENTAL SPECIFICATIONS:**  
 AMBIENT TEMPERATURE: -20°C TO +85°C  
 HUMIDITY: MAX 85%  
 SALT SPRAY: NO REMAKABLE RUST IN METAL PARTS (5% SALT / 35°C 24HRS)  
 SHOCK: NO MECHANICAL DEFECT OR DAMAGE (100g / 10MSEC/ X,Y,Z 3 TIMES)  
 VIBRATION: NO MECHANICAL DEFECT OR DAMAGE (10-55Hz /1.5mm/ X,Y,Z 2HRS)

**2. FINISH:**  
 TERMINAL, ACTIVE CONTACTOR: 1.0µm MIN SILVER  
 PLUNGER: 3.0µm MIN NICKEL

**6. ELECTRICAL RATINGS, APPROVED AGENCY LOGOS, TERMINAL IDENTIFICATION NUMBERS, AND THE TYCO/ELECTRONICS LOGO MOLDED APPROXIMATELY AS SHOWN ON THE SIDES OF THE SWITCH HOUSING.**

**3. ELECTRICAL SPECIFICATIONS:**  
 CURRENT & VOLTAGE  
 CONTACT RESISTANCE (INITIAL): <50mΩ  
 DIELECTRIC STRENGTH (INITIAL): >1000 VAC, 1 MINUTE  
 INSULATION RESISTANCE (INITIAL): >100MΩ MIN (500VDC BETWEEN OPEN CONTACTS)  
 INRUSH CURRENT: 50A / 3msec (CAPACITIVE LOAD)  
 ELECTRICAL LIFE ENDURANCE: >6000 OPERATIONS  
 TEMPERATURE RISE AT TERMINALS: <30°C, 8000 OPERATIONS  
 (AMBIENT CONDITIONS: 25±2°C AND 65±5%RH)

**8. COMPONENT RECOGNIZED TO US & CANDIAN STANDARDS.**  
 UL FILE NO. E46765

**9. COMPONENT-RECOGNIZED TO EUROPEAN STANDARDS**  
 (ENEC & VDE) MARKS LICENSE NO 40020317

**10. ROHS 2002/95/EC COMPLIANT**

**11. TYCO ELECTRONICS LOGO LOCATED APPROXIMATELY AS SHOWN**

**4. MECHANICAL SPECIFICATIONS:**  
 ACTUATING FORCE: 850g MIN, 1250g MAX  
 OPERATING LIFE ENDURANCE: >100,000 OPERATIONS  
 TERMINAL STRENGTH : >10.0kg - QC TAB

|                    |             |
|--------------------|-------------|
| PRDDA1-16F-BROHW   | 5-1571103-6 |
| PRDDA1-16F-BRO00   | 5-1571103-4 |
| PRDDA1-16F-BBOHW   | 1571103-5   |
| PRDDA1-16F-BB0CW   | 1571103-3   |
| PRDDA1-16F-BB0BW   | 1571103-2   |
| PRDDA1-16F-BB000   | 1571103-1   |
| LEGACY PART NUMBER | PART NUMBER |

THIS DRAWING IS A CONTROLLED DOCUMENT. DWG 07AMP04

BY: J. MOSIER  
 CHK: J. MOSIER  
 DATE: 11/11/03

PRODUCT SPEC: NOT APPLICABLE  
 APPLICATION SPEC: NOT APPLICABLE  
 WEIGHT: -

Tyco Electronics Corporation  
 Harrisburg, PA 17057

POWER ROCKER SWITCH, 25.4mm X 27.6mm  
 PANEL CUT-OUT SIZE, DOUBLE POLE, SINGLE THROW  
 FOUR TERMINALS, NON-ILLUMINATED

SIZE: A2  
 CAGE CODE (FORWGS NO): 00779  
 C=1571103

CUSTOMER DRAWING SCALE: 1:1 SHEET 2 OF 2 REV F1