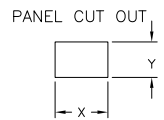
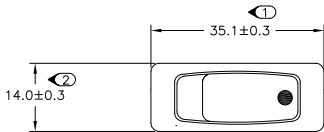
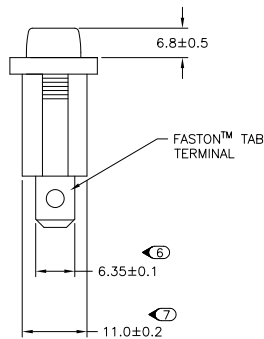
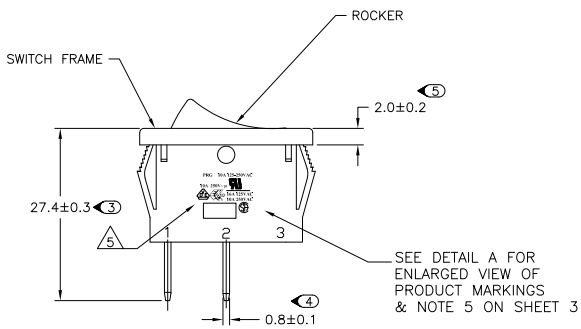


THIS DRAWING IS UNPUBLISHED. RELEASED FOR PUBLICATION 30/OCT/2003.  
 © COPYRIGHT 2003 BY TYCO ELECTRONICS CORPORATION. ALL RIGHTS RESERVED.

LOC	DIST	REVISIONS		
F	LN	DESCRIPTION	DATE	BY
E	B	REVISED PER ECO-10-025607	21DEC10	HMR MW

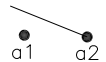


2.00-3.00	30.20	11.20
1.25-2.00	30.20	11.20
0.75-1.25	30.20	11.20
PANEL THICKNESS	X	Y



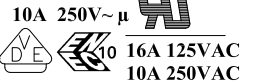
SEE DETAIL A FOR ENLARGED VIEW OF PRODUCT MARKINGS & NOTE 5 ON SHEET 3

CIRCUIT DIAGRAM



PRODUCT MARKING  
 DETAIL A

PRG 10A 125-250VAC



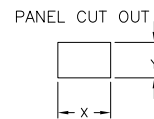
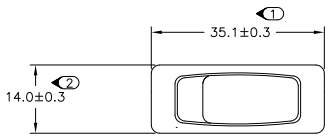
△ 6 1634202-2 SHOWN ON-OFF

DIMENSIONS:		TOLERANCES UNLESS OTHERWISE SPECIFIED:		MATERIAL:		FINISH:	
MM		0-PLC	±				
		1-PLC	± 0.5				
		2-PLC	±				
		3-PLC	±				
		4-PLC	±				
		ANGLES	±				

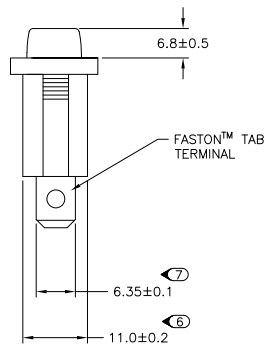
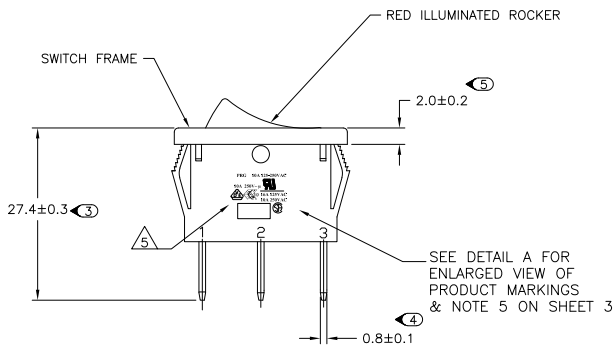
THIS DRAWING IS A CONTROLLED DOCUMENT.		DRN: S. SHACKSON 04FEB2003	Tyco Electronics Corporation Harrisburg, PA 17057	
CHK: J. KAUTZ 04FEB2003	APPC: J. KAUTZ 04FEB2003	NAME: POWER ROCKER SWITCH, 30.2mm X 11.2mm	RESTRICTED TO: -	
PRODUCT SPEC: NOT APPLICABLE	APPLICATION SPEC: NOT APPLICABLE	SIZE: A2	CAGE CODE: 00779	DRAWING NO: C=1634202
WEIGHT: -	CUSTOMER DRAWING	SCALE: 3:1	SHEET: 1 OF 3	REV: E

THIS DRAWING IS UNPUBLISHED. RELEASED FOR PUBLICATION 30/OCT/2003.  
 © COPYRIGHT 2003 BY TYCO ELECTRONICS CORPORATION. ALL RIGHTS RESERVED.

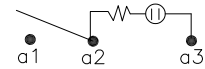
LOC	DIST	REVISIONS				
E	B	F	LN	DATE	MIN	APD
-	-	-	SEE SHEET 1	-	-	-



2.00-3.00	30.20	11.20
1.25-2.00	30.20	11.20
0.75-1.25	30.20	11.20
PANEL THICKNESS	X	Y



CIRCUIT DIAGRAM



PRODUCT MARKING  
 DETAIL A

PRG 10A 125-250VAC



TYCO ELECTRONICS LOGO  
 PER TEC-202-36



1634202-5 SHOWN ON-OFF  
 (ILLUMINATED)

DIMENSIONS:		TOLERANCES UNLESS OTHERWISE SPECIFIED:		MATERIAL:		FINISH:	
MM		0 PL	±				
		1 PL	±	0.5			
		2 PL	±				
		3 PL	±				
		4 PL	±				
		ANGLES	±				

THIS DRAWING IS A CONTROLLED DOCUMENT.		DRN: S. SHACKSON 04FEB2003	Tyco Electronics Corporation Harrisburg, PA 17057	
CHK: J. KAUTZ 04FEB2003	APD: J. KAUTZ 04FEB2003	NAME: POWER ROCKER SWITCH, 30.2mm X 11.2mm	PANEL CUT-OUT SIZE, SINGLE POLE, SINGLE THROW, NON-ILLUMINATED	
PRODUCT SPEC: NOT APPLICABLE		SIZE: A2	CAGE CODE: 00779	DRAWING NO: C=1634202
APPLICATION SPEC: NOT APPLICABLE		RESTRICTED TO:		
MATERIAL: CUSTOMER DRAWING		SCALE: 3:1	SHEET: 2 OF 3	REV: E

4

3

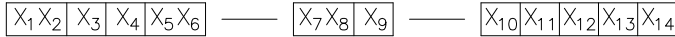
2

1

THIS DRAWING IS UNPUBLISHED. RELEASED FOR PUBLICATION 30/OCT/2003.  
 © COPYRIGHT 2003 BY TYCO ELECTRONICS CORPORATION. ALL RIGHTS RESERVED.

LOC	DIST	REVISIONS					
E	B	F	LNK	DESCRIPTION	DATE	MIN	APD
-	-	-	-	SEE SHEET 1	-	-	-

ALCOSWITCH PART NUMBER



△ MATERIALS:  
 HOUSING FRAME: NYLON 66.  
 ACTUATOR: NYLON 66/ PC(ILLUMINATED)  
 TERMINALS C1100R-1/2H WITH SILVER PLATED CONTACTS  
 AgALLOY

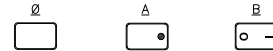
SWITCH TYPE: X1 X2 = PR - POWER ROCKER  
 NOMINAL PANEL CUT OUT SIZE: X3 = G - 30.2X11.2 [.1.189x.441]  
 NUMBER OF POLES: X4 = S - SINGLE

SECONDARY ROCKER COLOR: X12 = Ø - NOT APPLICABLE  
 B - BLACK  
 G - GREEN  
 R - RED  
 W - WHITE

△ FINISH:  
 TERMINAL, ACTIVE CONTACTOR: 1.0µm [.000039] SILVER  
 PLUNGER: 3.0mm[.000118] NICKEL

SWITCH FUNCTION: X5 X6 = A1 - △  
 B1 - △

LEGEND TEXT PATTERN: X13 =



3 ELECTRICAL SPECIFICATIONS:  
 CONTACT RESISTANCE : 50m ohm Max  
 DIELECTRIC STRENGTH : AC 1500V, 1 MINUTE  
 OPERATION TEMPERATURE: -20°C~85°C  
 INSULATION R: DC 500V 100M ohm MIN

CURRENT RATING: X7 X8 = 16 - △

TERMINAL TYPE: X9 = F - FASTON™ TAB

△ CURRENT AND VOLTAGE 10A@125VAC/10A@250VAC

FRAME COLOR: X10 = B - BLACK  
 W - WHITE

LEGEND TEXT COLOR: X14 = Ø - NOT APPLICABLE  
 G - GREEN  
 R - RED  
 B - BLACK  
 W - WHITE

△ ELECTRICAL RATINGS, APPROVED AGENCY LOGOS, TE LOGO PER  
 TEC-202-36 APPROXIMATELY AS SHOWN.  
 (FOR FULL DETAIL SEE INDIVIDUAL DRAWING)

ROCKER COLOR: X11 = B - BLACK  
 G - GREEN  
 R - RED  
 Y - YELLOW

△ ON-OFF, WITH OPAQUE, SINGLE-COLOR ROCKER BUTTON.

△ ON-OFF, WITH TRANSPARENT, LAMP-ILLUMINATED ROCKER  
 BUTTON.

8 REFER TO QIP DIMENSIONAL REPORT

△ COMPONENT RECOGNIZED TO EUROPEAN STANDARDS (ENEC,  
 PENDING VDE). MARKS LICENSE No. 40006757

2	FRG5B1-16F-BG000	1634202-6
2	FRG5B1-16F-BR000	1634202-5
1	FRGSA 1-16F-BR000	1634202-4
1	FRGSA 1-16F-BB0BW	1634202-3
1	FRGSA 1-16F-BB0AW	1634202-2
1	FRGSA 1-16F-BB000	1634202-1
SHEET REF	ALCO SWITCH PART NUMBER	TE PART NUMBER

THIS DRAWING IS A CONTROLLED DOCUMENT.

DRW: S. SHACKSON	04FER2003	Tyco Electronics Corporation Harrisburg, PA 17057
CHK: J. KAUTZ	04FER2003	
APP: H. KAUTZ	04FER2003	NAME: POWER ROCKER SWITCH, 30.2mm X 22.2mm
DIMENSIONS: MM		PRODUCT SPEC: NOT APPLICABLE
TOLERANCES UNLESS OTHERWISE SPECIFIED:		APPLICATION SPEC: NOT APPLICABLE
0 PLG	± .	SIZE: A2
1 PLG	± 0.30(0.12)	ORIG CODE: 1634202
2 PLG	± 0.05(0.02)	DRAWING NO: 1634202
3 PLG	± .	RESTRICTED TO: -
4 PLG	± .	WEIGHT: -
ANGLES	± .	CUSTOMER DRAWING
MATERIAL:	FINISH:	SCALE: 3:1
		SHEET 3 OF 3
		REV E