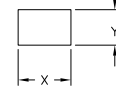


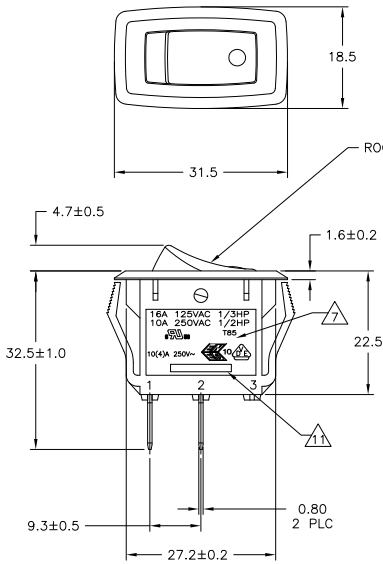
THIS DRAWING IS UNPUBLISHED. RELEASED FOR PUBLICATION.
 © COPYRIGHT BY TYCO ELECTRONICS CORPORATION. ALL INTERNATIONAL RIGHTS RESERVED.

LOC	DIST	REVISIONS		
F	LNK	DESCRIPTION	DATE	BY
AD	00			
	C1	REVISED PER ECO-10-005254	19MAR10	HMR NE

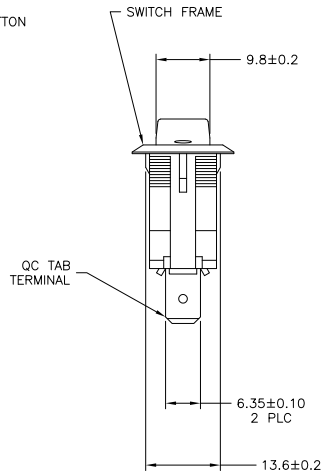
PANEL CUT OUT



4.00-5.00	28.0-0.1	13.8+0.1
3.00-4.00	27.8-0.1	13.8+0.1
0.75-3.00	27.6-0.1	13.8+0.1
PANEL THICKNESS	X	Y

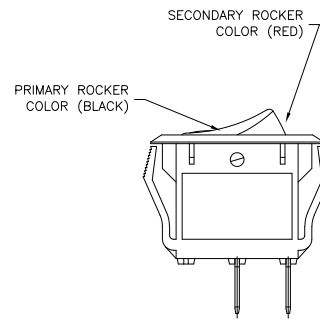


ROCKER BUTTON



SWITCH FRAME

QC TAB TERMINAL



SECONDARY ROCKER COLOR (RED)

PRIMARY ROCKER COLOR (BLACK)

SWITCH FUNCTION A2
CIRCUIT DIAGRAM



DIMENSIONS:		TOLERANCES UNLESS OTHERWISE SPECIFIED:		MATERIAL:		FINISH:	
mm		0 PLC	±				
		1 PLC	±	0.30			
		2 PLC	±	0.05			
		3 PLC	±				
		4 PLC	±				
		ANGLES	±				

THIS DRAWING IS A CONTROLLED DOCUMENT.	DRW: M. BINNER 25FEB2002	Tyco Electronics Corporation Harrisburg, PA 17105-3608	
CHK: J. MOSIER	NAME: POWER ROCKER SWITCH, 13.8mm X 27.6mm	PANEL CUT-OUT SIZE, SINGLEPOLE, TWO TERMINALS, DUAL-COLOR ROCKER BUTTON, NON-ILLUMINATED	
PRODUCT SPEC: NOT APPLICABLE	APPLICATION SPEC: NOT APPLICABLE	SIZE: 13.8 X 27.6	DRAWING NO: A200779
MATERIAL: 1	FINISH: 2	REVISIONS: 1	DATE: 1571131
CUSTOMER DRAWING		SCALE: 2:1	SHEET: 1 of 2

4

3

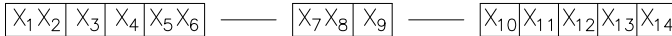
2

1

THIS DRAWING IS UNPUBLISHED. RELEASED FOR PUBLICATION.
 BY TYCO ELECTRONICS CORPORATION. ALL INTERNATIONAL RIGHTS RESERVED.

LOC	DIST	REVISIONS		
F	LNK	DESCRIPTION	DATE	BY
-	-	SEE SHEET 1	-	-

LEGACY PART NUMBER



SWITCH TYPE: $X_1 X_2 = \underline{PR}$ - POWER ROCKER

NOMINAL PANEL CUT OUT SIZE: $X_3 = \underline{B}$ - 13.8x27.6

NUMBER OF POLES: $X_4 = \underline{S}$ - SINGLE

SWITCH FUNCTION: $X_5 X_6 = \underline{A2}$ - ON-OFF, WITH OPAQUE, DUAL-COLOR ROCKER BUTTON.

CURRENT RATING: $X_7 X_8 = \underline{16}$ - Δ

TERMINAL TYPE: $X_9 = \underline{E}$ - QC TAB
 \underline{L} - SOLDER LUG

FRAME COLOR: $X_{10} = \underline{B}$ - BLACK
 \underline{W} - WHITE

PRIMARY ROCKER COLOR: $X_{11} = \underline{B}$ - BLACK
 \underline{G} - GREEN
 \underline{R} - RED
 \underline{W} - WHITE

SECONDARY ROCKER COLOR: $X_{12} = \underline{B}$ - BLACK
 \underline{G} - GREEN
 \underline{R} - RED
 \underline{W} - WHITE

LEGEND TEXT PATTERN: $X_{13} =$



LEGEND TEXT COLOR: $X_{14} = \underline{B}$ - BLACK
 \underline{G} - GREEN
 \underline{R} - RED
 \underline{W} - WHITE

1. MATERIALS:
 ROCKER BUTTON & HOUSING: NYLON 66, UL 94 V-2.
 TERMINAL, ACTIVE CONTACTOR: COPPER ALLOY PER ASTM B152/B152M
 PLUNGER: COPPER ALLOY PER ASTM B036
 SPRING: STEEL WIRE PER ASTM A228/A228M
 CONTACT: SILVER-TIN OXIDE

5. ENVIRONMENTAL SPECIFICATIONS:
 AMBIENT TEMPERATURE: -20°C TO +85°C
 HUMIDITY: MAX 85%
 SALT SPRAY: NO REMARKABLE RUST IN METAL PARTS. (5% SALT / 35°C 24HRS)
 SHOCK: NO MECHANICAL DEFECT OR DAMAGE. (100g / 10MSEC / X,Y,Z 3 TIMES)
 VIBRATION: NO MECHANICAL DEFECT OR DAMAGE. (10-55Hz / 1.5mm / X,Y,Z 2HRS)

6. UL: 16A@125VAC 1/3HP / 10A@125VAC 1/2HP
 ENEC: 10(4)A 250V~

7. ELECTRICAL RATINGS, APPROVED AGENCY LOGOS, TERMINAL IDENTIFICATION NUMBERS, MOLDED APPROXIMATELY AS SHOWN ON THE SIDES OF THE SWITCH HOUSING.

8. COMPONENT-RECOGNIZED TO US & CANADIAN STANDARDS
 UL FILE NO.E46765

9. COMPONENT-RECOGNIZED TO EUROPEAN STANDARDS
 (ENEC & VDE) MARKS LICENSE NO 40020315

10. ROHS 2002/95/EC COMPLIANT

11. TYCO ELECTRONICS LOGO LOCATED APPROXIMATELY AS SHOWN

2. FINISH:
 TERMINAL, ACTIVE CONTACTOR: 1.0µm MIN SILVER
 PLUNGER: 3.0µm MIN NICKEL

3. ELECTRICAL SPECIFICATIONS:
 CURRENT & VOLTAGE Δ
 CONTACT RESISTANCE (INITIAL): <50mΩ
 DIELECTRIC STRENGTH (INITIAL): >1000 VAC, 1 MINUTE
 INSULATION RESISTANCE (INITIAL): >100MΩ MIN (500VDC BETWEEN OPEN CONTACTS)
 INRUSH CURRENT: 50A / 3msec (CAPACITIVE LOAD)
 ELECTRICAL LIFE ENDURANCE: >6000 OPERATIONS,
 TEMPERATURE RISE AT TERMINALS: <30°C, 6000 OPERATIONS
 (AMBIENT CONDITIONS: 25±2°C AND 65±5%RH)

4. MECHANICAL SPECIFICATIONS:
 ACTUATING FORCE: 300g MIN, 500g MAX
 OPERATING LIFE ENDURANCE: >100,000 OPERATIONS
 TERMINAL STRENGTH: >10.0kg - QC TAB

PRBSA2-16F-BBRAR	5-1571131-1
LEGACY PART NUMBER	TYCO PART NUMBER

THIS DRAWING IS A CONTROLLED DOCUMENT.		DRW: M. BINNER 25FEB2002	Tyco Electronics Corporation Harrisburg, PA 17105-3608
DIMENSIONS: mm		CHK: J. MOSIER	
TOLERANCES UNLESS OTHERWISE SPECIFIED:		APP: -	NAME: POWER ROCKER SWITCH, 13.8mm X 27.6mm PANEL CUT-OUT SIZE, SINGLE POLE, TWO TERMINALS, DUAL-COLOR ROCKER BUTTON, NON-ILLUMINATED
0 PLD ± -		PRODUCT SPEC: NOT APPLICABLE	
1 PLD ± 0.30		APPLICATION SPEC: NOT APPLICABLE	SIZE: 1 (SEE CODE DRAWING 40) A2 00779 C=1571131
2 PLD ± 0.05		REMARK: -	
3 PLD ± -		FINISH: -	RESTRICTED TO: -
4 PLD ± -		MATERIAL: -	SCALE: 1:1 SHEET 2 of 2 REV: C1
ANGLES ± -		CUSTOMER DRAWING	