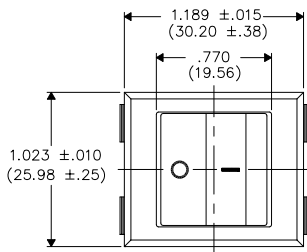
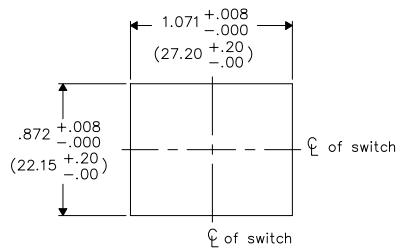


DIMENSIONS IN INCHES (MILLIMETERS)
DO NOT SCALE DRAWING

Dwg. No.
GR-2022-0007

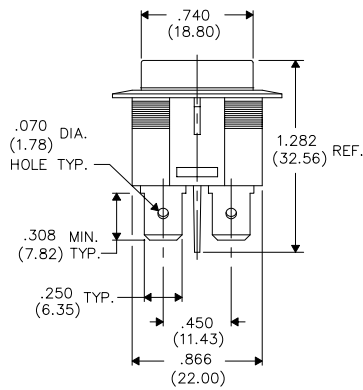
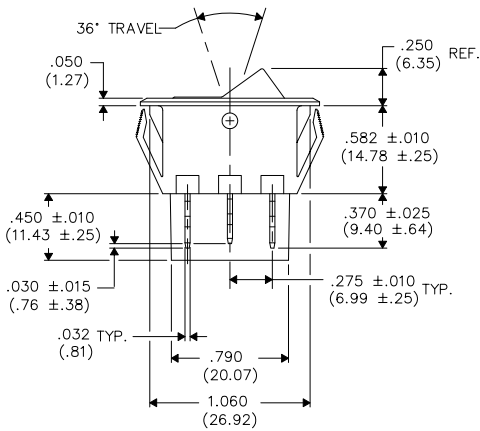


PANEL PIERCING



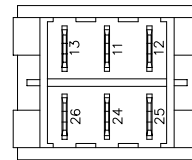
NOTES:

- 1.) With rocker in position shown, Circuits are completed between terminals 11 and 12 on pole 1, and terminal 24 and 25 on pole 2.



BOTTOM VIEW

SEE NOTE 1



FORM-B4

REVISIONS

0	RELEASED. D.G.W. 8-03-94 R.B.K. Aug. 18, 1994
---	---

CW INDUSTRIES
Southampton, Pa. 18966

TOLERANCES UNLESS OTHERWISE SPECIFIED
2 Place Decimal ±.010 METRIC
3 Place Decimal ±.005 1 Place Dec. ±.25mm
Angles ±1' 2 Place Dec. ±.13mm

Made for: CW IND.
Drawn by: DGW 8-03-94
Checked by: GG 8-8-94
Approval: RBK 8-9-94

Title: ROCKER SWITCH
ASSEMBLY
"POP IN"
D.P. - D.T.

Division: SWITCH
Dwg. No.
GR-2022-0007

PDF File Made