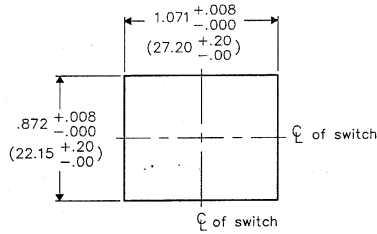
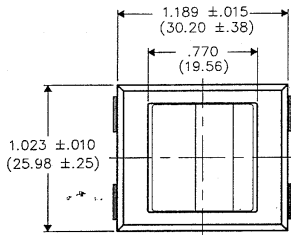


DIMENSIONS IN INCHES (MILLIMETERS)  
DO NOT SCALE DRAWING .....

Dwg. No.  
**GR-2022-1600**

E  
D  
C  
B  
A

**PANEL PIERCING**

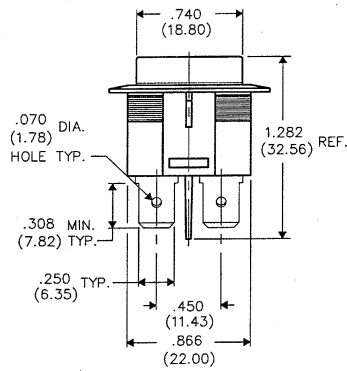
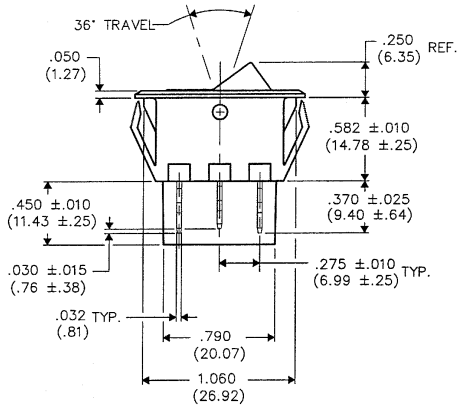
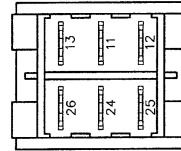


**NOTES:**

- 1.) With rocker in position shown, Circuits are completed between terminals 11 and 12 on pole 1, and terminal 24 and 25 on pole 2.

**BOTTOM VIEW**

SEE NOTE 1



1 2 3 4 5 6 7 8 9 10

FORM-B4	<b>REVISIONS</b>									
	0									
	RELEASED: 06-20-2006									
	DRAWN BY: DCW									

PDF FILE MADE	<b>CW INDUSTRIES</b> Southampton, Pa. 18966	Title: <b>POP-IN ROCKER SWITCH D.P.- D.T.</b>
	TOLERANCES UNLESS OTHERWISE SPECIFIED	
	2 Place Decimal ±.010 METRIC 3 Place Decimal ±.005 1 Place Dec. ±.25mm Angles ..... ±1° 2 Place Dec. ±.13mm	
	Made for: CW IND.	Division: <b>SWITCH</b>
Drawn by: DCW 10-26-2006		Dwg. No. <b>GR-2022-1600</b>
Checked by: G.Guld 10-26-06		
Approval: B. G. Ryan 10-30-06		