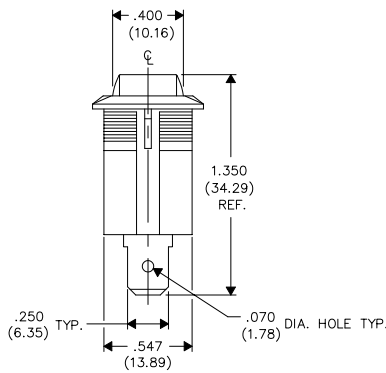
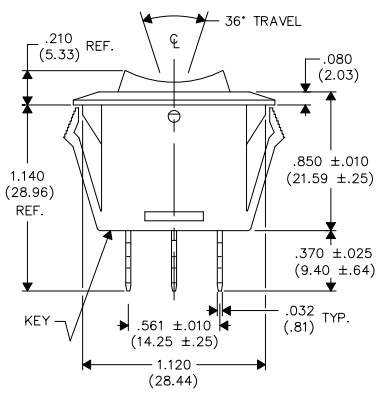
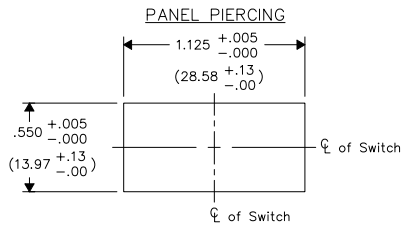
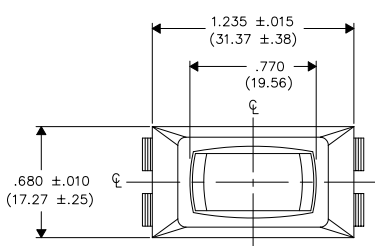


DIMENSIONS IN INCHES (MILLIMETERS)
DO NOT SCALE DRAWING

Dwg. No.
GRS-2013C-1300



E
D
C
B
A

1 2 3 4 5 6 7 8 9 10

B-FORMAT 2002	REVISIONS	0
	RELEASED:	10-02-2002
	DGW	10-02-2002
	Oct.	7-02

PDF File Made (QFO)	CW INDUSTRIES Southampton, Pa. 18966	Title: ROCKER SWITCH CENTER-OFF "POP IN" MOM./OFF/ON
	TOLERANCES UNLESS OTHERWISE SPECIFIED	
	2 Place Decimal ±.010 3 Place Decimal ±.005 Angles ±1°	METRIC 1 Place Dec. ±.25mm 2 Place Dec. ±.13mm
	Made for: CW IND.	Division: SWITCH
Drawn by: DGW 10-02-2002	Dwg. No. GRS-2013C-1300	
Checked by: GG 10-7-02		
Approval: BF 10-7-02		