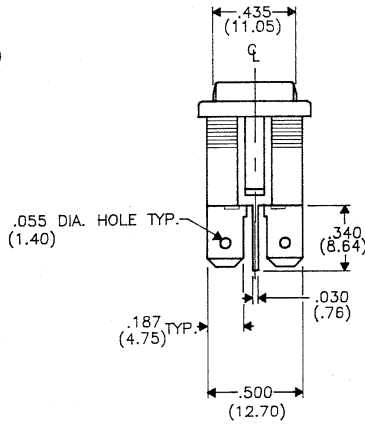
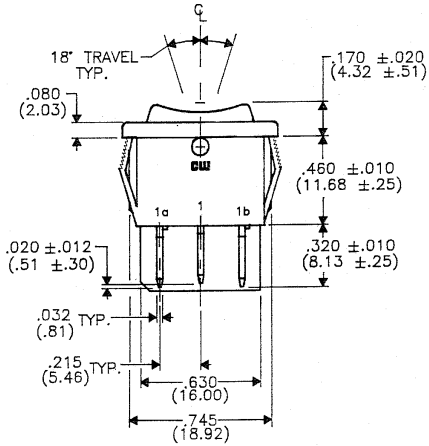
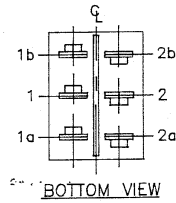
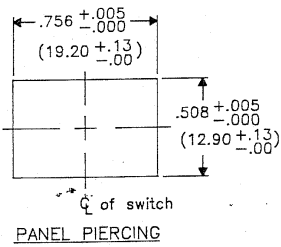
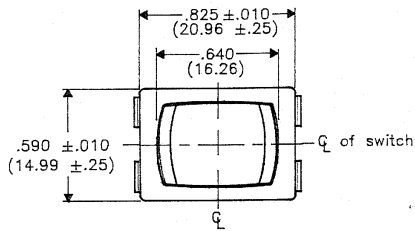


DIMENSIONS IN INCHES (MILLIMETERS)
DO NOT SCALE DRAWING...

Drawing No.
GRS-4023C-0005



REVISIONS

0	RELEASED	DGW	5-25-94
			MAY 26 1994

CW INDUSTRIES Southampton, Pa. 18966 <small>TOLERANCES UNLESS OTHERWISE SPECIFIED</small> 2 Place decimal ±.010 METRIC 3 Place decimal ±.005 1 Place dec. ±.25 MM Angles: ±1° 2 Place dec. ±.13 MM	Title	MINI SWITCH ASSEMBLY CENTER-OFF (SNAP - IN)
	Division	SWITCH
Made for: CW IND. Drawn by: DGW 5-25-94 Checked by: G. Gull 5-26-94 Approval: [Signature] 5-26-93	Drawing No.	GRS-4023C-0005

B-1 FORM 9
CENTENNIAL BLUEPRINT 407563