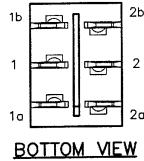
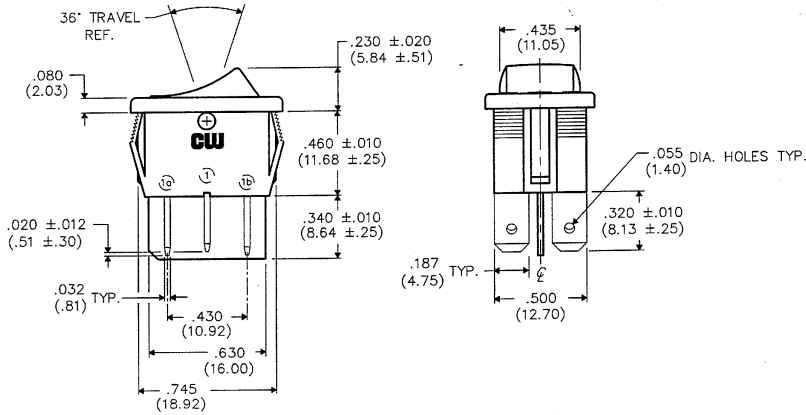
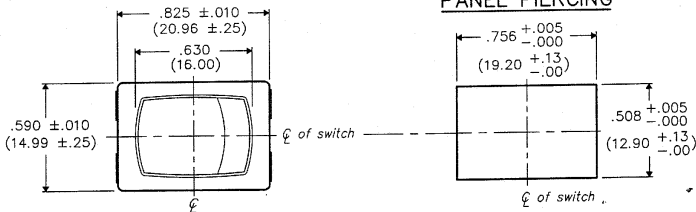


DIMENSIONS IN INCHES (MILLIMETERS)
DO NOT SCALE DRAWING

Dwg. No.
GRS-4022-0010

PANEL PIERCING



BOTTOM VIEW

FORM-84	REVISIONS	0
		RELEASED DOW 8/29/2005
		SEP 20 2005

CW INDUSTRIES
Southampton, Pa. 18966

TOLERANCES UNLESS OTHERWISE SPECIFIED

2 Place Decimal ±.010	METRIC
3 Place Decimal ±.005	1 Place Dec. ±.25mm
Angles ±1°	2 Place Dec. ±.13mm

Made for: CW IND.
Drawn by: DGW 8/29/2005
Checked by: G. Guld 9/19/05
Approval: [Signature] 9/19/05

Title: **ROCKER SWDGET ASSEMBLY (POP IN) D.P.- D.T.**

Division: **SWITCH**

Dwg. No. **GRS-4022-0010**