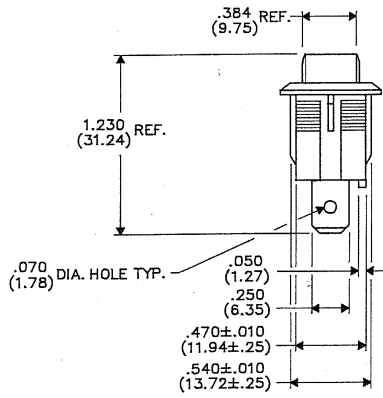
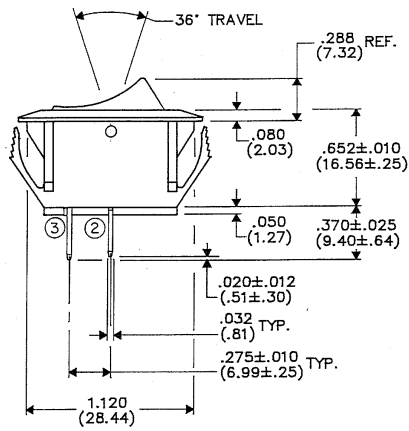
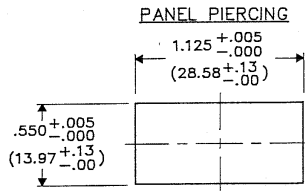
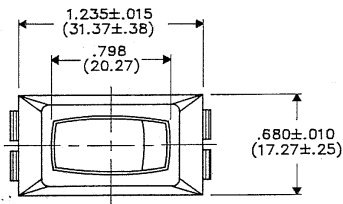


DIMENSIONS IN INCHES (MILLIMETERS)
DO NOT SCALE DRAWING...

Drawing No. **GRS-2011B-2000**



B-FORM-0
 REVISIONS
 RELEASED
 MAM 4-18-90
 20

CW INDUSTRIES
Southampton, Pa. 18966

THIS ASSEMBLY DRAWING
S.P.S.T. ROCKER SWITCH
MOMENTARY NORMALLY OPEN
NON-POLARIZED
1.125" x .550" PANEL

TOLERANCES UNLESS OTHERWISE SPECIFIED
 2 Place decimal ±.010 METRIC
 3 Place decimal ±.005 | Place dec. 1.25 MM
 Angles: 1/16 1/2 Place dec. 7.13 MM
 Made For: CW Ind.
 Drawn by: MAM 4-18-90
 Checked by: S-2-90
 Approved: [Signature]

Division SWITCH
 Drawing No. **GRS-2011B-2000**