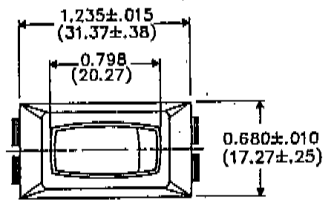
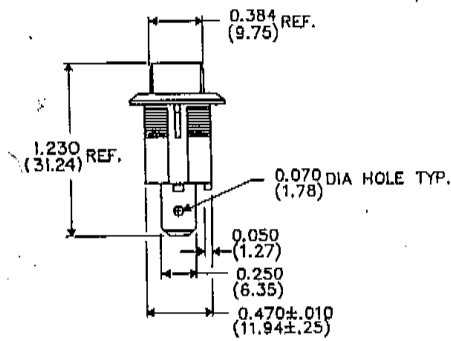
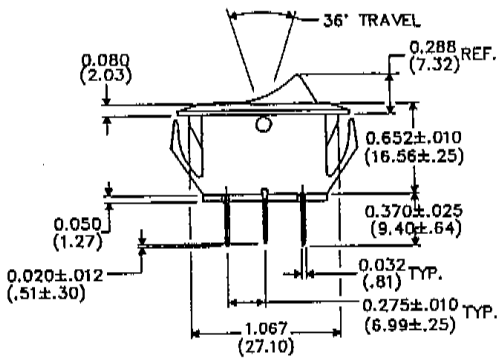
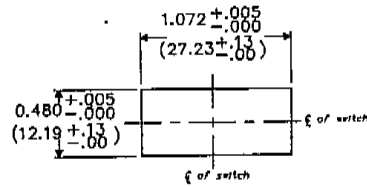


DIMENSIONS IN INCHES (MILLIMETERS)
DO NOT SCALE DRAWING

GRS-2012-3000



PANEL PIERCING



REVISIONS
 0
 RELEASED 11-13-88
 BY 1-1-89
 1-FEB 7 890

CW INDUSTRIES
Southampton, Pa. 18966

Title: **ASSEMBLY DRAWING**
S.P.D.T. ROCKER SWITCH
NON-POLARIZED
1.072 x .480 PANEL

TOLERANCES UNLESS OTHERWISE SPECIFIED
 2 Place decimal .005 METRIC
 3 Place decimal .0005 Place dec. .125 MM
 Angles 1° 2 Place dec. .13 MM

Made for: CW
 Drawn by: MAM 9-14-89
 Checked by: L-C-10
 Approval: JRA 2-6-90

Division: **SWITCH**
 GRS-2012-3000

MASTER