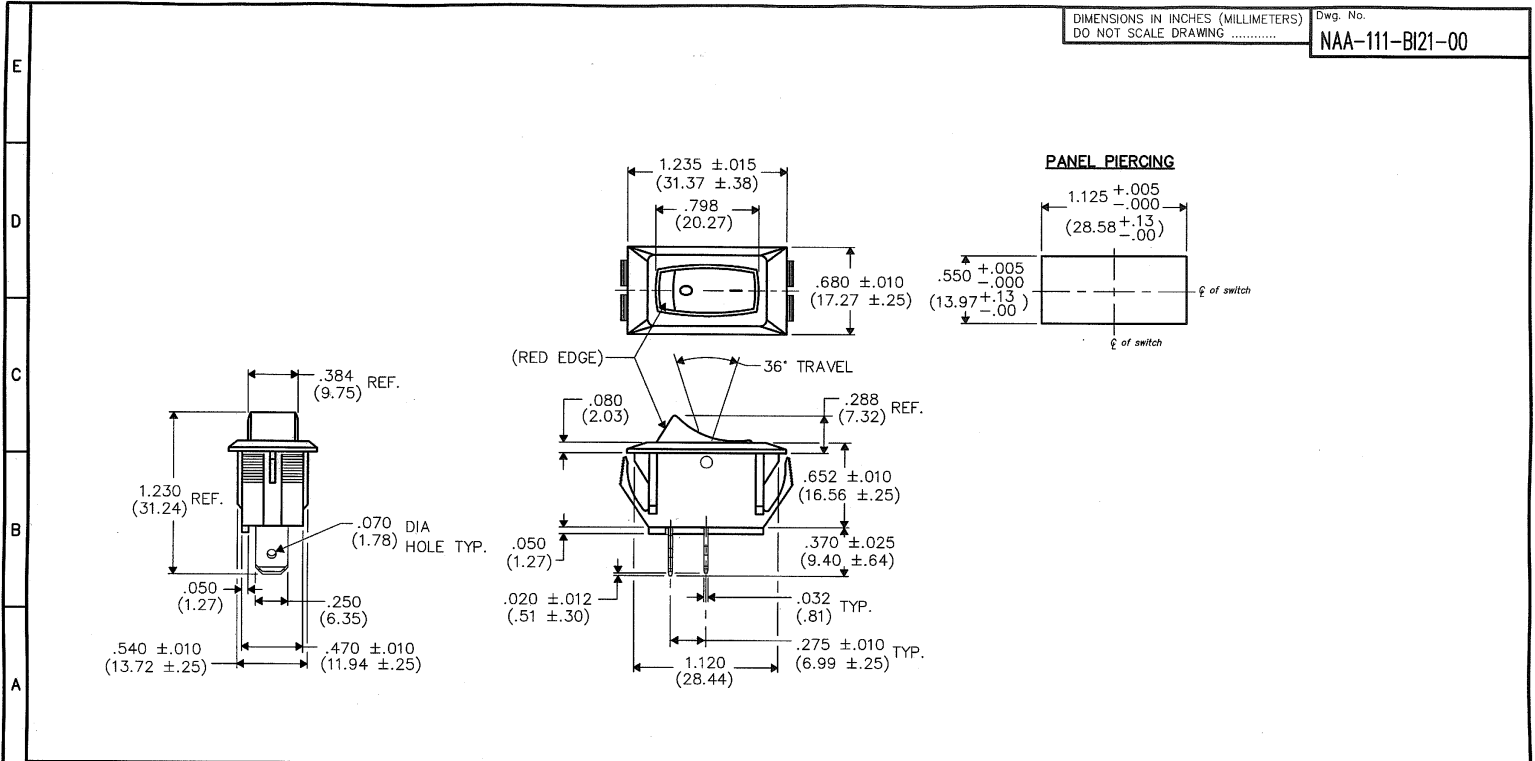


DIMENSIONS IN INCHES (MILLIMETERS)
DO NOT SCALE DRAWING

Dwg. No.
NAA-111-BI21-00



FORM-B4 REVISIONS 0 RELEASED: 8-13-2008 DWG: 8-13-2008 AUG 15 2008	CW INDUSTRIES Southampton, Pa. 18966						Title: INDICON UNIBODY SWITCH ASSEMBLY 1.125" x .550" PANEL			
	TOLERANCES UNLESS OTHERWISE SPECIFIED						METRIC			
	2 Place Decimal ±.010			3 Place Decimal ±.005			1 Place Dec. ±.25mm		2 Place Dec. ±.13mm	
	Angles 1°						Division: SWITCH			
Made for: CW IND.						Dwg. No. NAA-111-BI21-00				
Drawn by: DGW 8-13-2008						Approval: G. Guild 8-14-08				
Checked by: G. Guild 8-14-08						Title: INDICON UNIBODY SWITCH ASSEMBLY				
Approval: G. Guild 8-14-08						Dwg. No. NAA-111-BI21-00				

MASTER