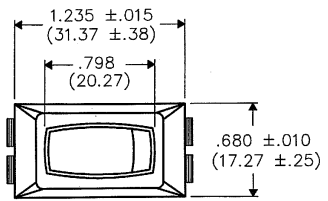
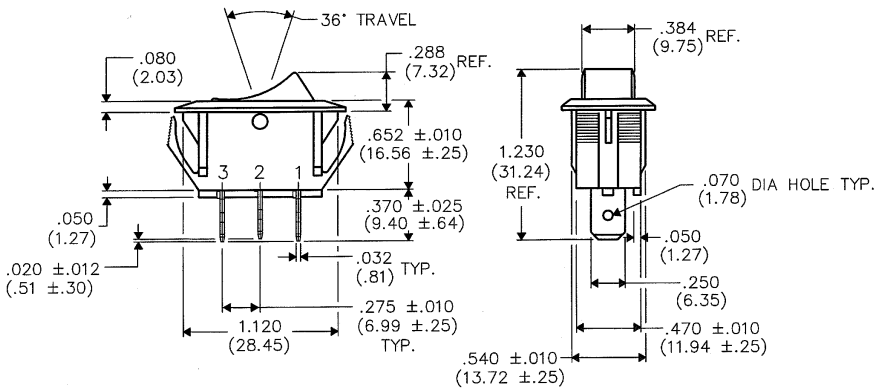
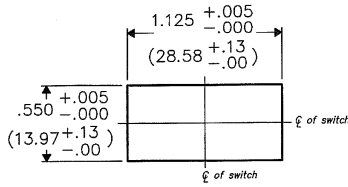


DIMENSIONS IN INCHES (MILLIMETERS)
DO NOT SCALE DRAWING

Dwg. No.
GRS-2012-2600



PANEL PIERCING



E
D
C
B
A

1 2 3 4 5 6 7 8 9 10

B-FORMAT 2002	REVISIONS	0
		RELEASED: 11-2008 DOW AUG 15 2008

CW INDUSTRIES
Southampton, Pa. 18966

TOLERANCES UNLESS OTHERWISE SPECIFIED

2 Place Decimal ±.010	METRIC
3 Place Decimal ±.005	1 Place Dec. ±.25mm
Angles ±1°	2 Place Dec. ±.13mm

Made for: CW IND.
Drawn by: DGW 8-14-2008
Checked by: G. Guld 8-15-08
Approval: G. Guld 8-15-08

Title: **ROCKER SWITCH S.P.D.T. NO POLAR., NO BARR.**

Division: **SWITCH**

Dwg. No. **GRS-2012-2600**

MASTER