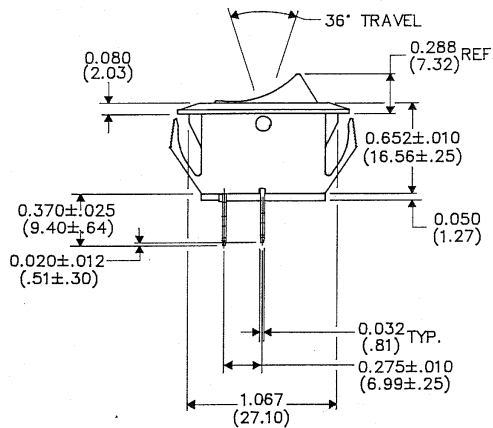
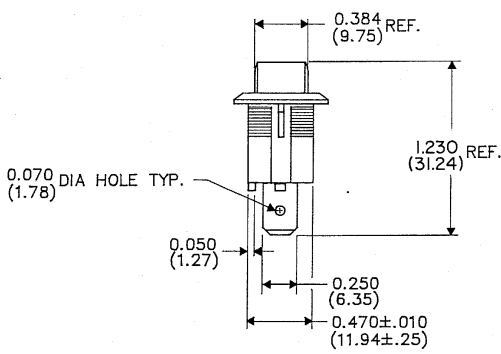


DIMENSIONS IN INCHES (MILLIMETERS)
DO NOT SCALE DRAWING

Drawing No. **GRS-2011-3000**



8-form ©

REVISIONS								
<table border="1"> <tr> <td>0</td> <td>MAN</td> <td>4-13-89</td> <td>4/1</td> </tr> <tr> <td></td> <td></td> <td>FEB 7</td> <td></td> </tr> </table>	0	MAN	4-13-89	4/1			FEB 7	
0	MAN	4-13-89	4/1					
		FEB 7						

CW INDUSTRIES Southampton, Pa. 18966 <small>TOLERANCES UNLESS OTHERWISE SPECIFIED</small> 2 Place decimal ±.010 METRIC 3 Place decimal ±.005 1/2 Place dec. ±.25 MM Angles ±1° 2 Place dec. ±.13 MM	Title ASSEMBLY DRAWING S.P.S.T. ROCKER SWITCH NON-POLARIZED 1.072 x .480 PANEL
	Division SWITCH
	Drawing No. GRS-2011-3000
	Made for: CW Drawn by: MAN 4-14-89 Checked by: JH 2-6-90 Approved: JH 2-6-90

MASTER