

SPECIFICATIONS

ELECTRICAL

(@28VDC, 115VAC, 60/400Hz)
1 million life cycles @ 1A

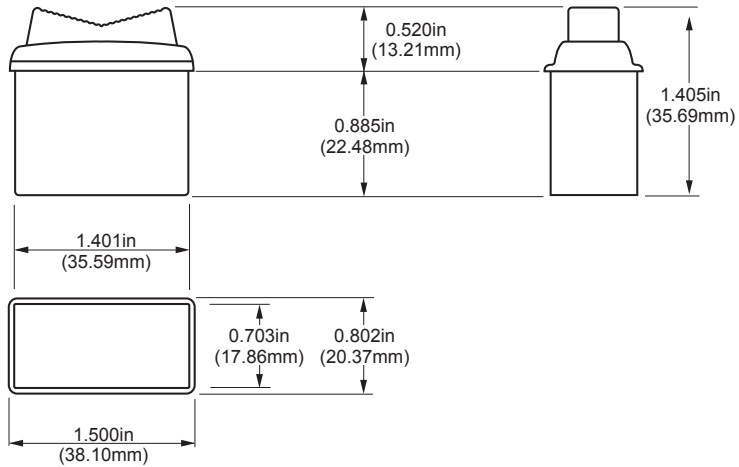
MECHANICAL

MECHANICAL LIFE 1 million operations
ACTUATION FORCE 700g (6.9 Newtons)
OPERATING TEMPERATURE -40° to +85°C
CONTACT RESISTANCE Less than 0.5 ohms

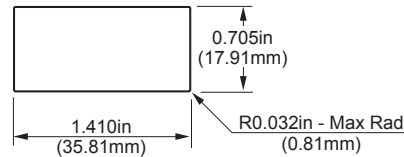
WIRING

GRAY Switch
PURPLE Switch
BLACK Common

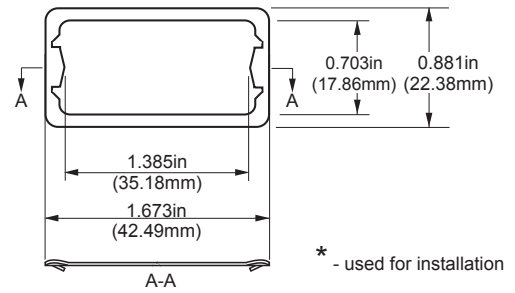
RoHS compliant



MOUNTING CUT-OUT DIMENSIONS



STEEL SPRING RETAINER *



P/N	500-252	REV	A
DESCRIPTION	CH Rocker Switch		
<p>PROPRIETARY AND CONFIDENTIAL THE INFORMATION CONTAINED IN THIS DRAWING IS THE SOLE PROPERTY OF CH PRODUCTS. ANY REPRODUCTION IN PART OR AS WHOLE WITHOUT THE WRITTEN PERMISSION OF CH PRODUCTS IS PROHIBITED.</p>			