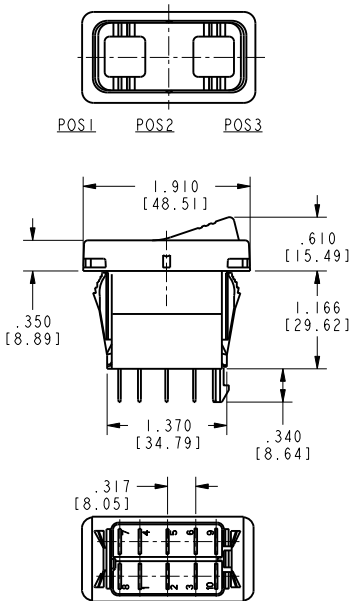


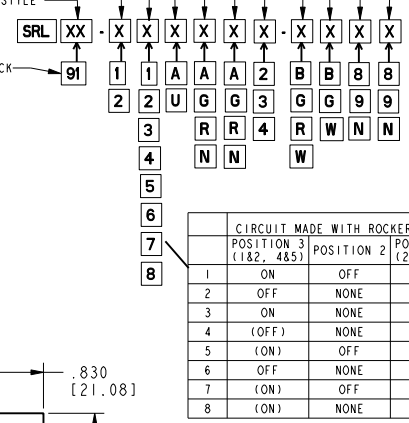
HONEYWELL PART NUMBER

REV	DOCUMENT	CHANGED BY	CHECK
A	001632I	LKM 24OCT05	VA



LAMP (A=AMBER, G=GREEN, R=RED, N=NONE)
 ILLUMINATION STYLE (A=AMBER, G=GREEN, R=RED, N=NONE)
 CIRCUITRY (1=SP-SINGLE POLE, USES TERMINALS 1-2-3; 2=DP-DOUBLE POLE, USES TERMINALS 1-2-3 AND 4-5-6)
 TERMINAL STYLE

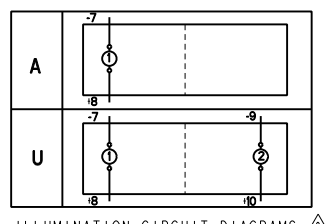
LED VOLTAGE (2=6V, 3=12V, 4=24V)
 ACTUATOR COLOR (B=BLACK, G=GRAY, R=RED, W=WHITE)
 BASE/BEZEL COLOR (B=BLACK, G=GRAY, W=WHITE)
 LENS STYLE AND COLOR (8 = WHITE TRANSLUCENT BAR, 9 = WHITE TRANSLUCENT SQUARE, N=NONE)
 LENS STYLE AND COLOR (8 = WHITE TRANSLUCENT BAR, 9 = WHITE TRANSLUCENT SQUARE, N=NONE)



ELECTRICAL RATINGS AND APPROVALS

10A 250VAC 1/2HP
 15A 125VAC 1/2HP
 UL, CSA

CIRCUIT MADE WITH ROCKER IN POSITION 3 (182, 485)	POSITION 2	POSITION 1 (283, 586)
1 ON	OFF	ON
2 OFF	NONE	ON
3 ON	NONE	ON
4 (OFF)	NONE	ON
5 (ON)	OFF	ON
6 OFF	NONE	(ON)
7 (ON)	OFF	(ON)
8 (ON)	NONE	ON



MOUNTING HOLE
 PANEL THICKNESS (SNAP-IN BRACKET)
 .030 MIN - .187 MAX
 [.76] [4.75]

- 1 - OPERATING TEMPERATURE RANGE : -40°F TO +185°F (-40°C TO +85°C)
- 2 - ELECTRICAL LIFE : 50,000 CYCLES MOMENTARY, 100,000 CYCLES MAINTAINED
- 3 - MECHANICAL LIFE : 150,000 CYCLES MIN
- 4 - SEE DIAGRAM FOR CATALOGING SCHEME
- 5 - PARENTHESIS DENOTE MOMENTARY ACTION
- 6 - SEALED TO IP68
- 7 - ABOVE TERMINALS 1 AND 4
- 8 - ABOVE TERMINALS 3 AND 6
- 9 - REFER TO CIRCUIT DIAGRAMS

DESIGN UNITS: INCH
 TOLERANCES UNLESS NOTED:

NO PLACE	X ±	0.040
ONE PLACE	.X ±	0.030
TWO PLACE	.XX ±	0.015
THREE PLACE	.XXX ±	0.015
FOUR PLACE	.XXXX ±	0.0005
ANGLES	X ±	2

THIRD ANGLE PROJECTION

DRAWN	TSG	14 JUL 05
CHECK	-	-
THIS DRAWING COVERS A PROPRIETARY ITEM AND IS THE PROPERTY OF HONEYWELL. THIS DRAWING IS NOT TO BE COPIED OR USED WITHOUT THE PERMISSION OF HONEYWELL.		
INTERPRET PER ASME Y14.5M-1994 OTHER HONEYWELL ENGINEERING STANDARDS MAY APPLY		
Pro/ENGINEER	2D	SCALE

Honeywell

SWITCH , ROCKER

SIZE	TYPE	DRAWING NAME	REV
B	I	SRL SERIES CHART 1	A

SHEET 1 OF 1