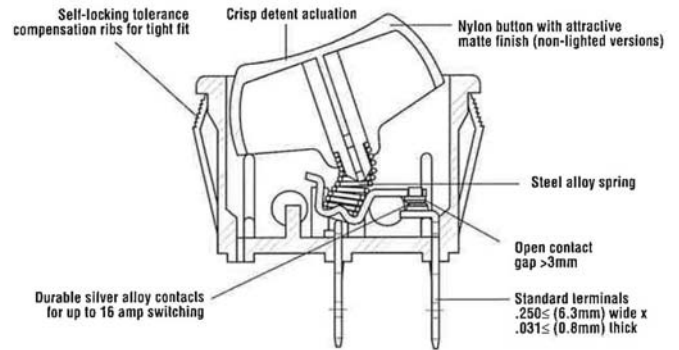


# Single-Pole Rocker Switch TR Series



## Features

- 16A switching in 1mm wide package
- Lighted and non-lighted
- Maintained action and momentary
- Mechanical life: min. 10,000 operations

Electrical Ratings				
Switch Series	EN61058 Rating	UL1054 Rating	Electrical Life at Rated Load	
			According to VDE (Min. Operations)	According to UL (Min. Operations)
TR	16(4)A, 250V~, T85/55 1E4	16A, 125/250VAC; 1/4HP, 3/4HP 250VAC	10,000	6,000

Electrical Specifications		Material Specifications	
<b>Ratings:</b>	16A, 125/250VAC; 1/4HP; 3/4HP 250VAC (UL) 16A, 125/250VAC; 1/4HP (CSA) 16(4)A, 250V~ T85/55 5E4 (VDE)	<b>Actuator (non-lighted):</b>	Nylon 66 94V-2
<b>Dielectric Strength:</b>	1000VAC for 1 minute	<b>(lighted):</b>	Polycarbonate
<b>Insulation Resistance:</b>	100M ohms min at 500VDC	<b>Base:</b>	Nylon 66 94V-2
<b>Initial Contact Resistance:</b>	0.020 ohms max	<b>Spring:</b>	Steel Wire
<b>Temperature Range:</b>	-20°C to + 65°C	<b>Contacts:</b>	Silver Alloy
		<b>Movable Arm:</b>	Silver-Plated Copper Alloy
		<b>Terminals:</b>	Tin-Plated Copper Alloy

RoHS Compliant  
UL File No: E23301

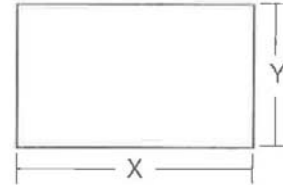
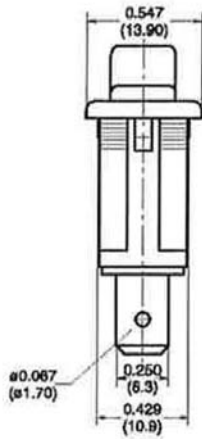
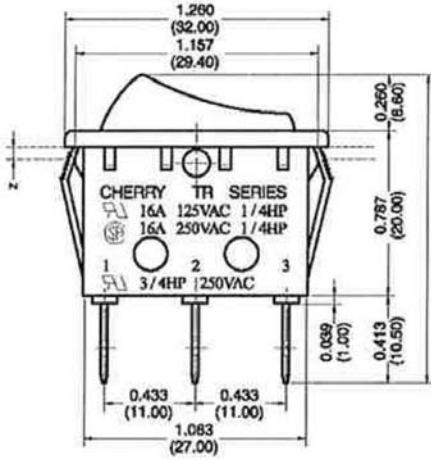
Specifications subject to change without notice.



# Single-Pole Rocker Switch

# TR Series

**Dimensions** inches (mm)

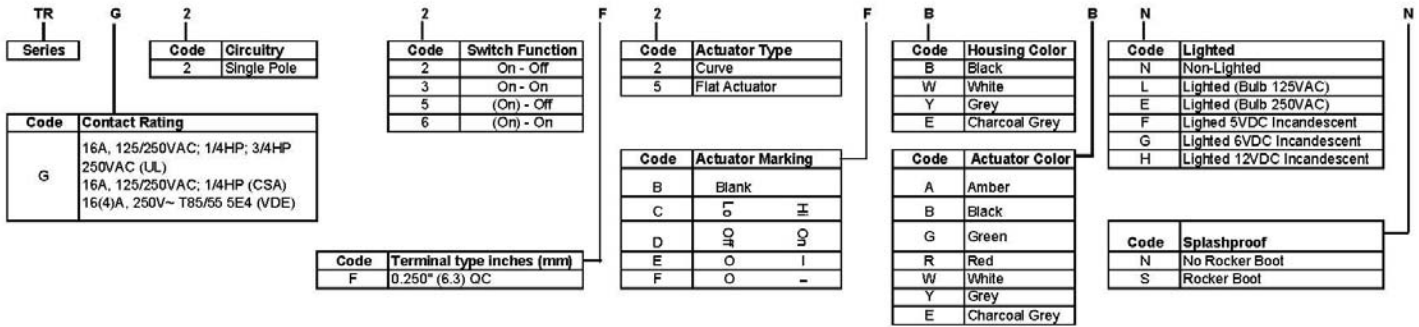


Z = Panel Thickness

**Recommended Panel Cut-Out Dimensions**  
inches (mm)

Dim. Z	Dim. X	Dim. Y
0.030 to 0.049 (0.75 to 1.25)	1.19 (30.23)	0.433 (11.00)
0.049 to 0.079 (1.25 to 2.00)	1.20 (30.48)	0.433 (11.00)
0.079 to 0.118 (2.00 to 3.00)	1.21 (30.73)	0.433 (11.00)

**Ordering Information**



**Examples of Common Part Numbers and Descriptions** inches (mm)

Part Number	Circuitry	Switch Function	Terminal Type	Actuator/Housing Color	Legend Marking
TRG22F2FBBNN		On - Off	0.250 (6.3) Quick-Connect	Black/Black	
TRG23F2BBBNN		On - On	0.250 (6.3) Quick-Connect	Black/Black	
TRG22F2BBRLN		On - Off/Lighted	0.250 (6.3) Quick-Connect	Red/Black	

**Contact**

Call, fax or visit our Website for more information.

**ZF Electronics Corporation**  
11200 88th Avenue  
Pleasant Prairie, WI 53158

Phone: 262.942.6500  
Web: [www.cherrycorp.com](http://www.cherrycorp.com)  
Email: [cep\\_sales@zf.com](mailto:cep_sales@zf.com)  
Fax: 262.942.6566

The manufacturer accepts no liability for errors or non-availability, and reserves the right to change specifications without prior notice.

Technical data relates to product specifications only. Features may differ from those described. Only drawings combined with product specifications shall be deemed binding.

© 2007 ZF Electronics Corporation

Last Updated: 1/20/11

