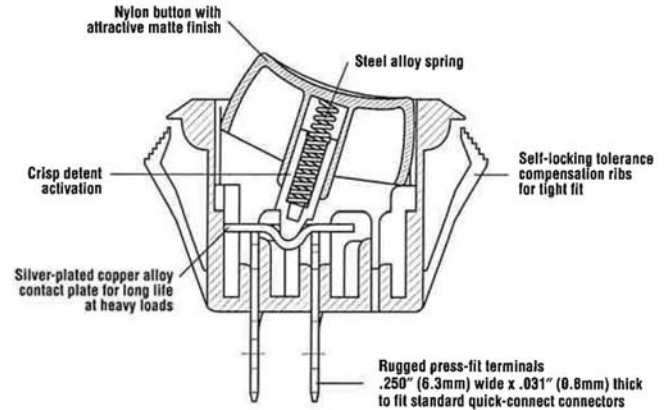


Single-Pole Rocker Switch GR Series



Features

- Optional wire leads available
- Available in a variety of colors
- Single and double throw options
- Mechanical life: min. 50,000 operations

Electrical Ratings				
Switch Series	EN61058 Rating	UL1054 Rating	Electrical Life at Rated Load	
			According to VDE (Min. Operations)	According to UL (Min. Operations)
GR	N/A	15A, 125VAC; 10A, 250VAC	N/A	6,000

Electrical Specifications		Material Specifications	
Ratings:	15A, 125VAC; 10A, 250VAC (UL, CSA)	Actuator (non-lighted):	Nylon 66 94V-2
Dielectric Strength:	1000VAC for 1 minute	(lighted):	Polycarbonate
Insulation Resistance:	100M ohms min at 500VDC	Housing:	Nylon 66 94V-2
Initial Contact Resistance:	.020 ohms max	Spring:	Steel Wire
Temperature Range:	-20°C to + 85°C (UL)	Contact Plate:	Copper Alloy
		Terminals:	Tin-Plated Copper Alloy



RoHS Compliant
UL File No: E23301

Specifications subject to change without notice.



