

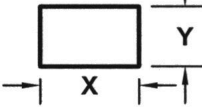

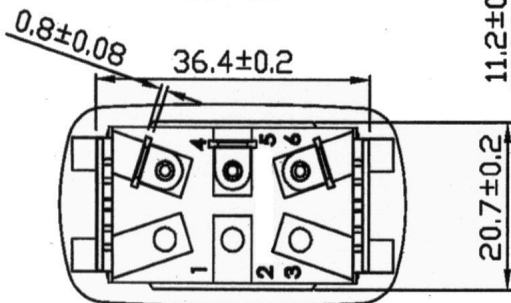
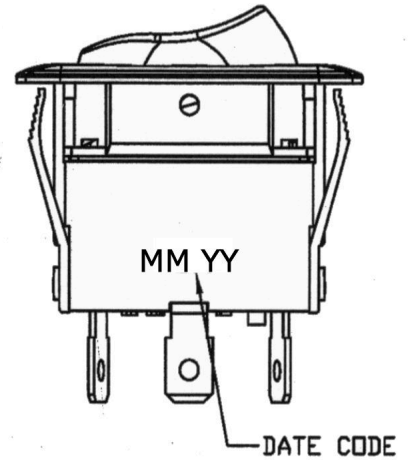
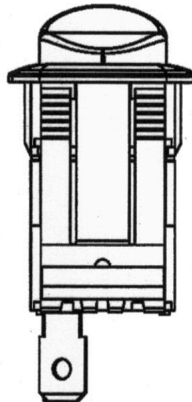
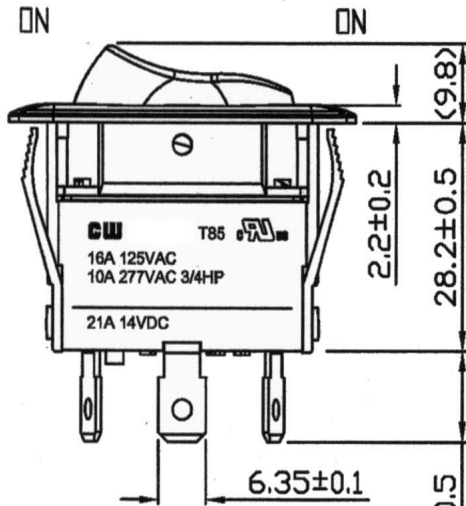
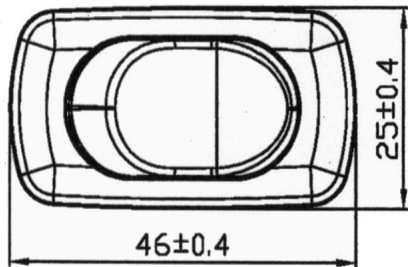



THIS INFORMATION IS CONFIDENTIAL AND PROPRIETARY TO CW INDUSTRIES INCORPORATED AND ITS AFFILIATES. IT MAY NOT BE DISCLOSED TO ANYONE, OTHER THAN CW INDUSTRIES PERSONNEL, WITHOUT WRITTEN AUTHORIZATION FROM CW INDUSTRIES INCORPORATED, SOUTHAMPTON, PENNSYLVANIA USA.

Rating	16A 125VAC 10A 277VAC 3/HP		Mounting Hole														
	21A 14V DC																
Contact Resistance	50m ohm max.		<table border="1"> <thead> <tr> <th>Thickness</th> <th>X</th> <th>Y</th> </tr> </thead> <tbody> <tr> <td>0.75 - 1.25</td> <td>21.2 + 0.1</td> <td>36.6 + 0.1</td> </tr> <tr> <td>1.25 - 2.00</td> <td>21.2 + 0.1</td> <td>36.8 + 0.1</td> </tr> <tr> <td>2.00 - 3.00</td> <td>21.2 + 0.1</td> <td>37.0 + 0.1</td> </tr> </tbody> </table>		Thickness	X	Y	0.75 - 1.25	21.2 + 0.1	36.6 + 0.1	1.25 - 2.00	21.2 + 0.1	36.8 + 0.1	2.00 - 3.00	21.2 + 0.1	37.0 + 0.1	
Thickness	X	Y															
0.75 - 1.25	21.2 + 0.1	36.6 + 0.1															
1.25 - 2.00	21.2 + 0.1	36.8 + 0.1															
2.00 - 3.00	21.2 + 0.1	37.0 + 0.1															
Insulation Resistance	DC 500V 100M ohm min.																
Dielectric Strength	AC 1500V 1 minute																
Operating Temperature	-20 °C ~ 85 °C																

BASE COLOR: Black
BUTTON COLOR: Black



RoHS Compliant

 INDUSTRIES Southampton, Pa. 18966 Tel 215.355.7080/www.cwind.com	Date Drawn: 12/21/09	Rev. 0	Unit: mm	Checked By: G. Guld
	Title: ROCKER SWITCH		CW P/N: GRB263C001NNN	