
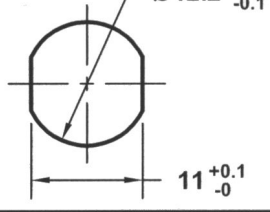
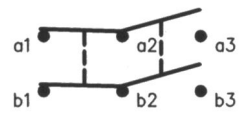
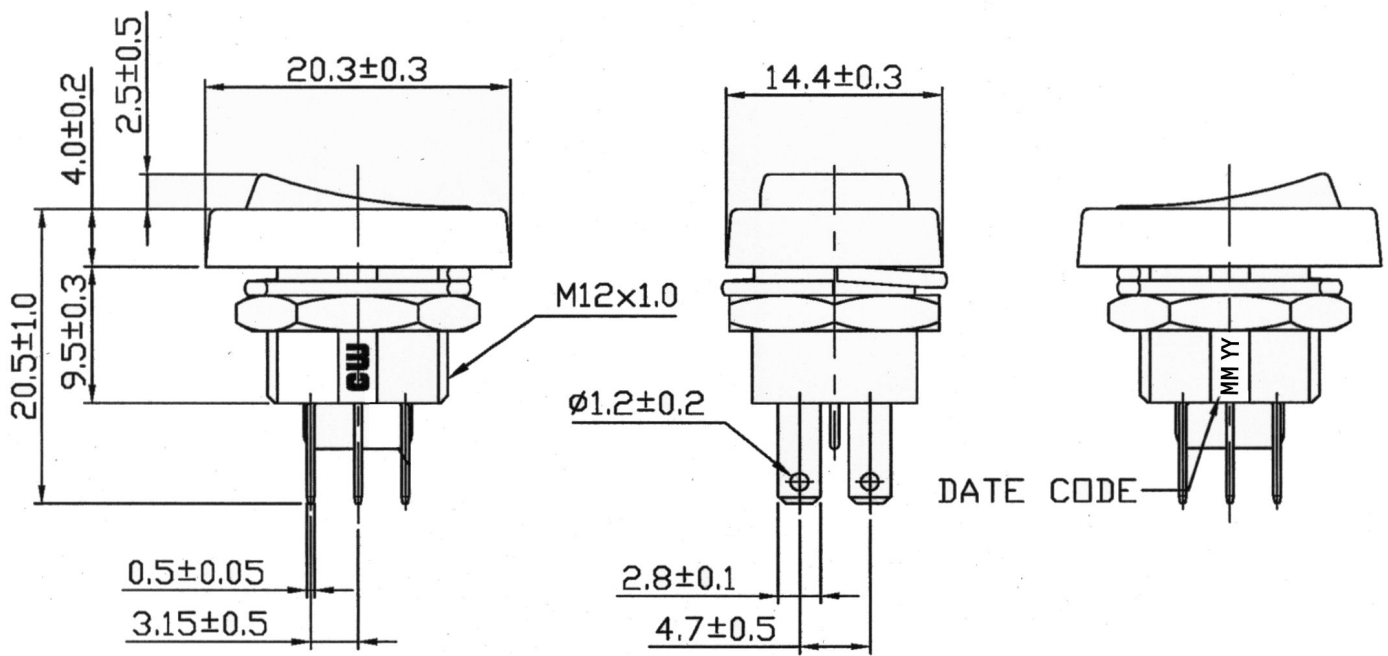
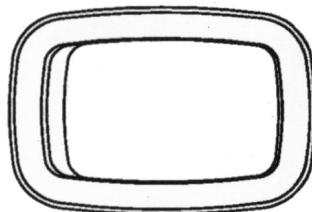



THIS INFORMATION IS CONFIDENTIAL AND PROPRIETARY TO CW INDUSTRIES INCORPORATED AND ITS AFFILIATES. IT MAY NOT BE DISCLOSED TO ANYONE, OTHER THAN CW INDUSTRIES PERSONNEL, WITHOUT WRITTEN AUTHORIZATION FROM CW INDUSTRIES INCORPORATED, SOUTHAMPTON, PENNSYLVANIA USA.

Rating	6A 125V, 3A 250V AC		Mounting Hole	Circuit Diagram
Contact Resistance	50m ohm max.			 <p>DPDT ON - ON</p>
Insulation Resistance	DC 500V 100M ohm min.			
Dielectric Strength	AC 1000V 1 minute			
BASE COLOR: Black BUTTON COLOR: Black				



RoHS Compliant

 <b>CW INDUSTRIES</b> Southampton, Pa. 18966 Tel 215.355.7080/www.cwind.com	Date Drawn: 12/18/09	Rev. 0	Unit: mm	Checked By: G. Guld
	Title: <b>ROCKER SWITCH</b>		CW P/N: <b>GRB213B03BB</b>	