
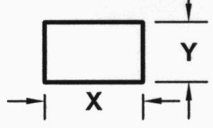
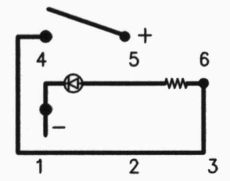
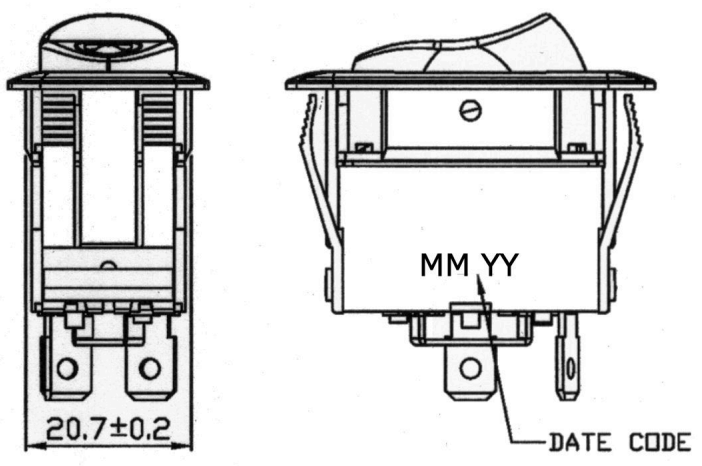
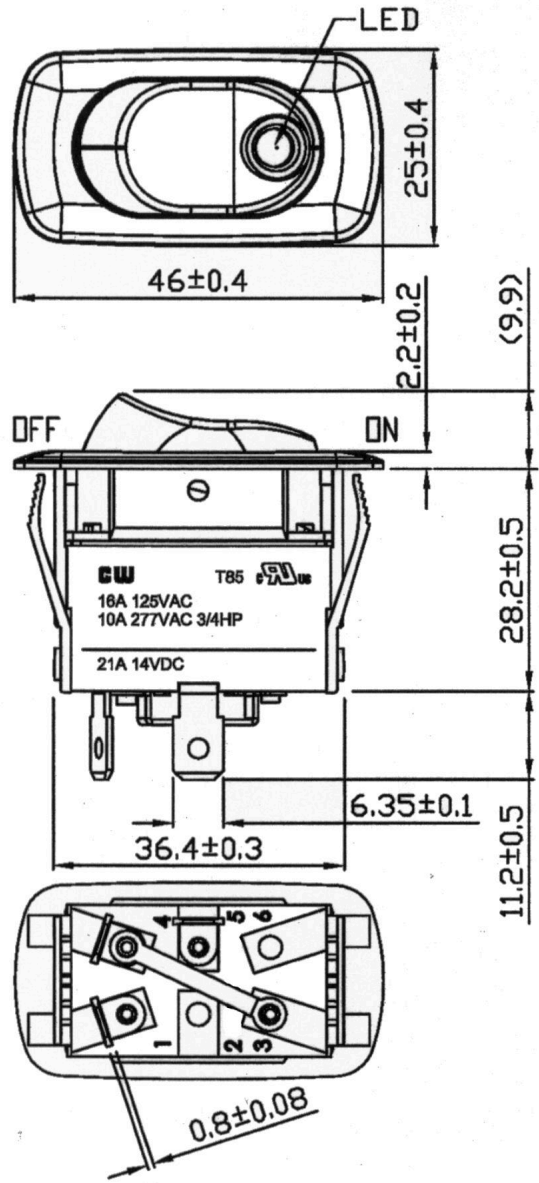


THIS INFORMATION IS CONFIDENTIAL AND PROPRIETARY TO CW INDUSTRIES INCORPORATED AND ITS AFFILIATES. IT MAY NOT BE DISCLOSED TO ANYONE, OTHER THAN CW INDUSTRIES PERSONNEL, WITHOUT WRITTEN AUTHORIZATION FROM CW INDUSTRIES INCORPORATED, SOUTHAMPTON, PENNSYLVANIA USA.

Rating	16A 125VAC 10A 277VAC 3/HP		Mounting Hole		Circuit Diagram												
	21A 14V DC																
Contact Resistance	50m ohm max.		<table border="1"> <thead> <tr> <th>Thickness</th> <th>X</th> <th>Y</th> </tr> </thead> <tbody> <tr> <td>0.75 - 1.25</td> <td>21.2 + 0.1</td> <td>36.6 + 0.1</td> </tr> <tr> <td>1.25 - 2.00</td> <td>21.2 + 0.1</td> <td>36.8 + 0.1</td> </tr> <tr> <td>2.00 - 3.00</td> <td>21.2 + 0.1</td> <td>37.0 + 0.1</td> </tr> </tbody> </table>		Thickness	X	Y	0.75 - 1.25	21.2 + 0.1	36.6 + 0.1	1.25 - 2.00	21.2 + 0.1	36.8 + 0.1	2.00 - 3.00	21.2 + 0.1	37.0 + 0.1	 <p>SPST ON - OFF (LED)</p>
Thickness	X	Y															
0.75 - 1.25	21.2 + 0.1	36.6 + 0.1															
1.25 - 2.00	21.2 + 0.1	36.8 + 0.1															
2.00 - 3.00	21.2 + 0.1	37.0 + 0.1															
Insulation Resistance	DC 500V 100M ohm min.																
Dielectric Strength	AC 1500V 1 minute																
Operating Temperature	-20°C ~ 85°C																

BASE COLOR: Black
 BUTTON COLOR: Black
 LED: Red



RoHS Compliant

CW INDUSTRIES
 Southampton, Pa. 18966
 Tel 215.355.7080/www.cwind.com

Date Drawn: 12/21/09
 Rev. 0

Unit: mm

Checked By: G. Guld

Title: **ROCKER SWITCH**

CW P/N: **GRB263A101RN1D**