

SERIES RR 3130 SWITCHES

ROCKER SWITCHES



SPECIFICATIONS

Contact Rating:	10A @ 125VAC 6A @ 250VAC
Life Expectancy (Mechanical):	20,000 cycles
Life Expectancy (Electrical):	6,000 cycles
Contact Resistance:	50 mΩ (Initial Max.)
Insulation Resistance:	100M Ω @ 500V DC
Dielectric Strength:	1,500V Minimum (1 minute)
Operating Temp:	0°C to 65°C

MATERIALS

Material:	UL94-V2
Termination:	Solder lug, silver-plated
Panel Requirement:	6mm max. thickness, cut out per drawing

FEATURES & BENEFITS

- ▶ Ergonomic Euro design
- ▶ Panel mount
- ▶ Round design fits easily into your application

APPLICATIONS/MARKETS

- ▶ Industrial
- ▶ Lighting ballast
- ▶ Audio/visual
- ▶ Medical equipment
- ▶ Computer/servers/peripherals

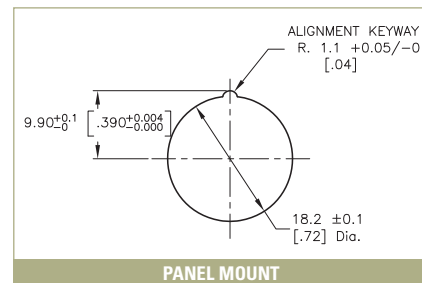
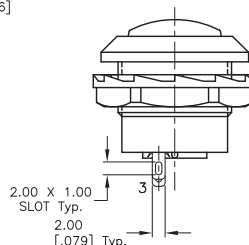
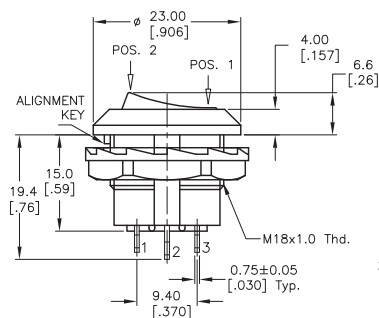
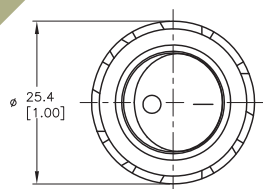
HOW TO ORDER

SERIES	MODEL NO.	CIRCUIT	HOUSING COLOR	ACTUATOR COLOR	MARKING	TERMINATION
RR	3130	See Below	BLK = Black WHT = White	BLK = Black WHT = White RED = Red	N = None A E F G I	S = Solder Lug
CIRCUIT CODE:						
A = SPST On-Off						
B = DPDT On-On						
C = SPDT On-On						

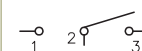
▶ ▶ ▶ **Example Ordering Number**
RR-3130-A-BLK-BLK-A-S

Specifications subject to change without notice.

RR 3130



PANEL MOUNT



SCHEMATIC