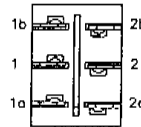
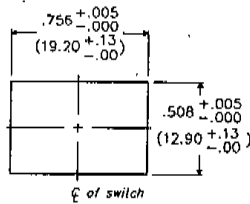
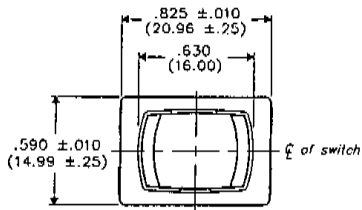


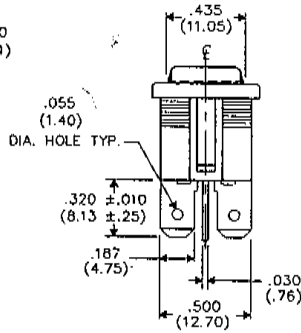
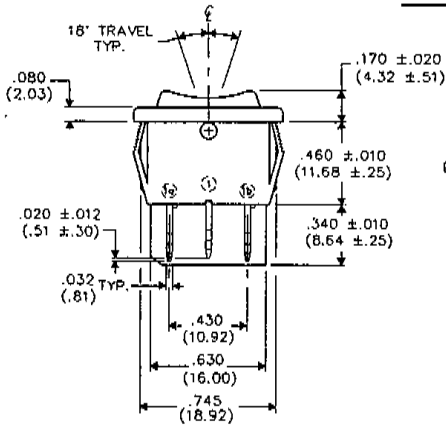
DIMENSIONS IN INCHES (MILLIMETERS)
DO NOT SCALE DRAWING

Des. No.
GRS-4023A-1300



PANEL PIERCING

BOTTOM VIEW



FORM-B	REVISIONS	
	RELEASED	0
	DATE	8-15-94
	BY	SEP 16 1994
	REMOVED EUREKA	1
	P/N-1383-93-21	
	DATE 11-01-95	
	BY F. J. MOY	
	DATE 03 1995	

CW INDUSTRIES
Southampton, Pa. 18966

THIS ASSEMBLY
ROCKER SWITCH
D.P. - CENTER OFF
(ON - OFF - ON)

10. FRANCES UNLESS OTHERWISE SPECIFIED
2 Place decimal ± 010 uETric
3 Place decimal ± 000
Angles ± 1° 2 Place dec. ± .13mm

Drawn by DCW 9-15-94

Division SWITCH

Checked by G. GULD 9-16-94
Approved: [Signature] 9/16/94

Des. No. GRS-4023A-1300

MASTER