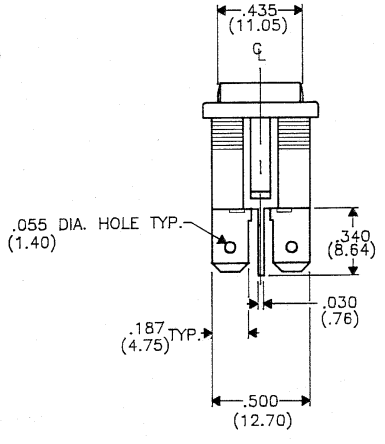
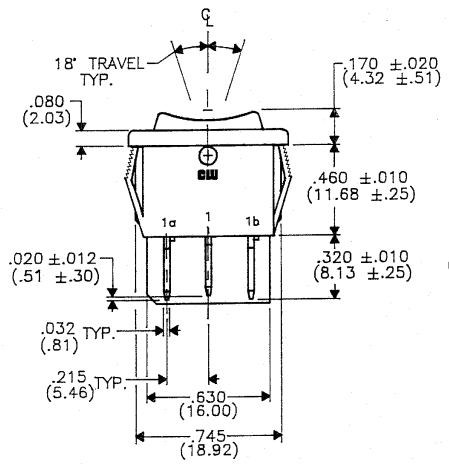
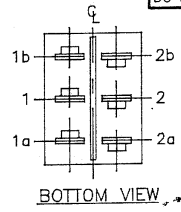
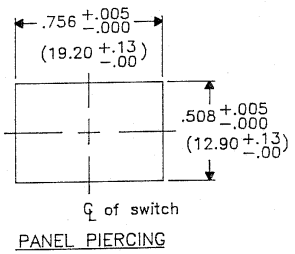
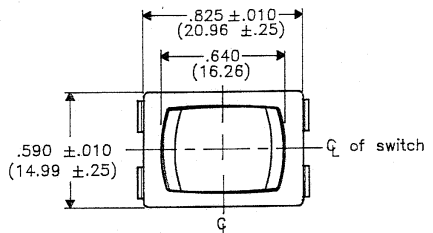


DIMENSIONS IN INCHES (MILLIMETERS)
DO NOT SCALE DRAWING

Drawing No. GRS-4023C-1300



REVISIONS
RELEASED
DWG 10-01-93
10-01-93

CW INDUSTRIES Southampton, Pa. 18966 TOLERANCES UNLESS OTHERWISE SPECIFIED 2 Place decimal +.010 METRIC 3 Place decimal +.005 1 Place dec. + .25 MM Angles: 1° 2 Place dec. + .13 MM	Title	MINI SWITCH ASSEMBLY CENTER-OFF (SWAP - IN)
	Division	SWITCH
Made for CW IND. Drawn by DWG 10-01-93 Checked by G. G. U. L. D. 10-4-93 Approval [Signature] 10-4-93	Drawing No.	GRS-4023C-1300