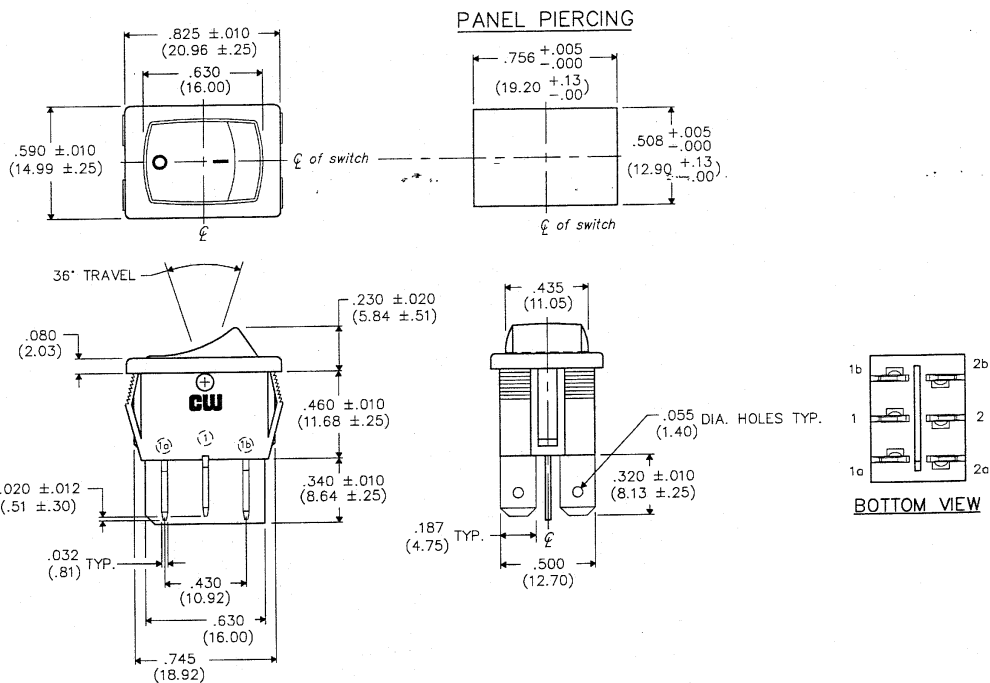


DIMENSIONS IN INCHES (MILLIMETERS)
DO NOT SCALE DRAWING

Dwg. No.
GRS-4022-0013



FORM-B (REV. 11-61)

REVISIONS	0
RELEASED	DGW 8-05-94
	AUG 18 1994

CW INDUSTRIES Southampton, Pa. 18966 TO FRANCES UNLESS OTHERWISE SPECIFIED 2 Place decimal $\pm .010$ METRIC 3 Place decimal $\pm .005$ 1 Place dec. $\pm .25$ mm Angles $\pm 1^\circ$ 2 Place dec. $\pm .13$ mm	Title: ROCKER SWITCH ASSEMBLY (POP IN) D.P. - D.T.
	Division: SWITCH
Made for: CW IND.	Dwg. No. GRS-4022-0013
Drawn by: DGW 8-05-94	
Checked by: G. GULD 8-10-94	
Approval: DGW 8-10-94	