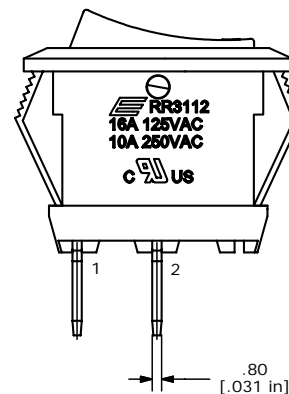
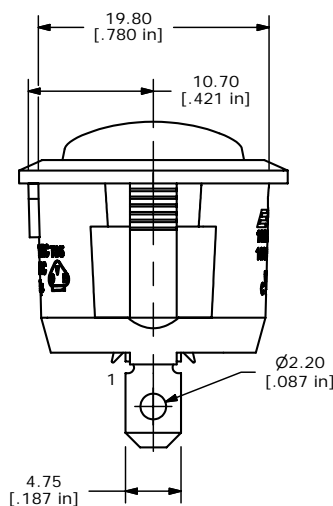
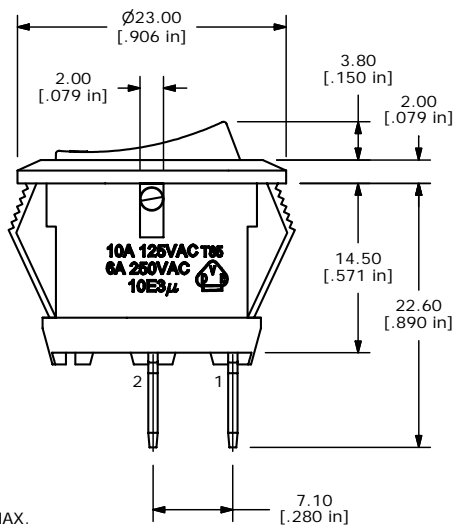


CIRCUIT: SPST

RECOMMENDED PANEL MOUNTING



- NOTES:
1. ALL DIMENSIONS IN MM [INCH]
 2. GENERAL TOLERANCE: x.x=±0.4
x.xx=±0.25
 3. TERM. NOS. FOR REF. ONLY
 4. RATING: 10A 250VAC
16A 125VAC
 5. CONTACT RESISTANCE: 50mOHM MAX.
 6. INSULATION RESISTANCE: DC 500V 100M OHM MIN.
 7. DIELECTRIC STRENGTH: AC 1500V 1 MIN
 8. OPERATING TEMPERATURE: 0°C to 65°C

E-SWITCH®

TITLE RR3112ABLKBLKNAF0

| | | | | |
|-----|--------|---------------------|---------|----|
| B | 16195 | REVISED AND REDRAWN | 6/28/06 | CT |
| REV | PCR NO | DESCRIPTION | DATE | BY |

THE INFORMATION CONTAINED IN THIS DOCUMENT IS PROPRIETARY TO E-SWITCH AND IS NOT TO BE COPIED OR TRANSFERRED

| | | | | |
|-------|-----------|----|---------|-----|
| SCALE | DATE | DR | DWG | REV |
| 2:1 | 2/25/2000 | MM | F130410 | B |