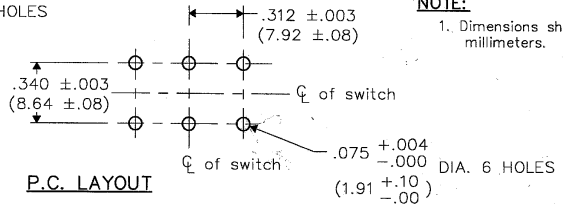
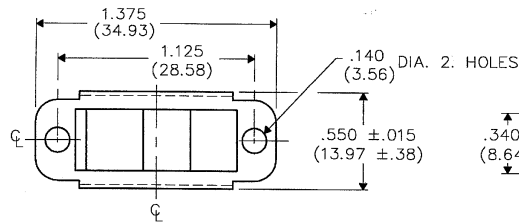
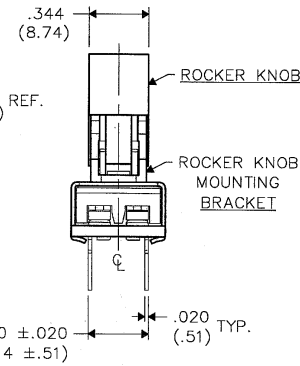
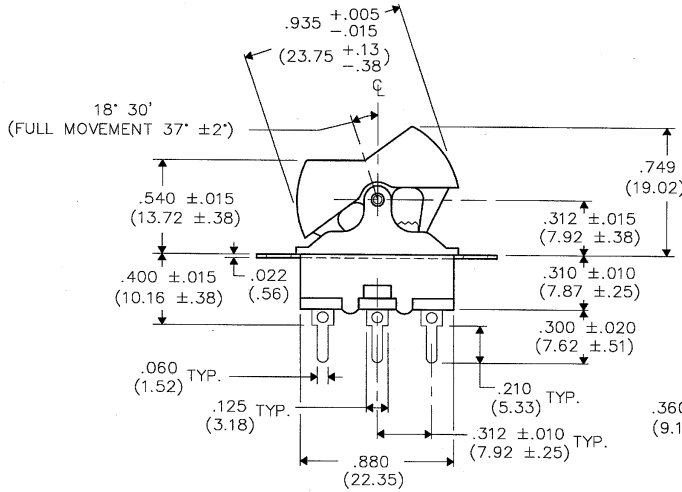


DIMENSIONS IN INCHES (MILLIMETERS)
DO NOT SCALE DRAWING

Dwg. No.
GR5-626-6010



NOTE:
1. Dimensions shown in () are in millimeters.



FORM-B	REVISIONS	0	RELEASED DWG 2-13-95 CA 2/14/95 15, 1995	CW INDUSTRIES Southampton, Pa. 18966 TOLERANCES UNLESS OTHERWISE SPECIFIED 2 Place decimal ±.010 METRIC 3 Place decimal ±.005 1 Place dec. ±.25mm Angles ± 1' 2 Place dec. ±.13mm Made for: CW IND. Drawn by: DGW 2-13-95 Checked by: G. GULD 2-14-95 Approval: C. Arami 2/14/95	Title: SWITCH ASSEMBLY D.P. - D.T. Division: SWITCH Dwg. No. GR5-626-6010

MASTER