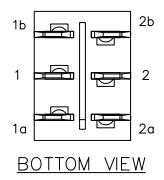
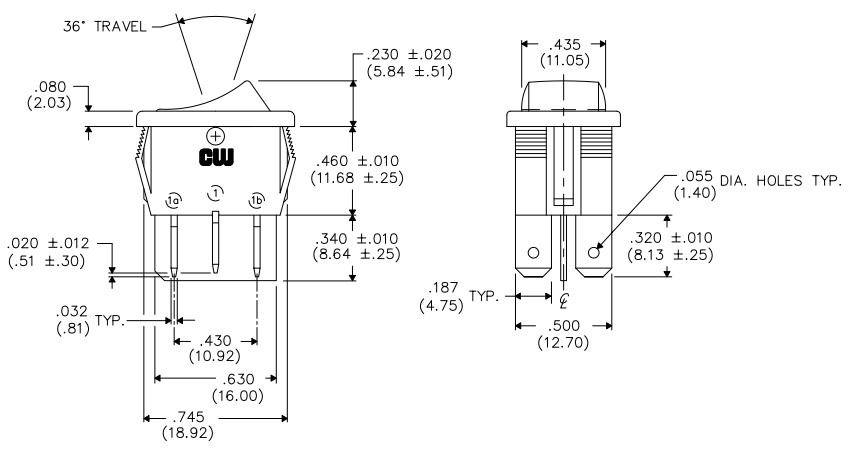
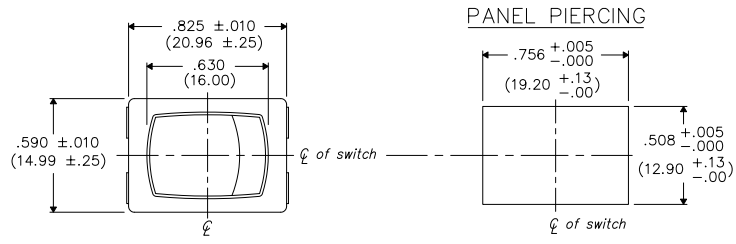


E
D
C
B
A

DIMENSIONS IN INCHES (MILLIMETERS)
DO NOT SCALE DRAWING
Dwg. No. GRS-4022-1600



1 2 3 4 5 6 7 8 9 10

FORM-B4	REVISIONS	0	
		RELEASED.	DGW 7-19-2001
			7-30-2001

CW INDUSTRIES Southampton, Pa. 18966		Title: ROCKER SWIDGET ASSEMBLY (POP IN) D.P. - D.T.
TOLERANCES UNLESS OTHERWISE SPECIFIED		
2 Place Decimal ±.010	METRIC	Division: SWITCH
3 Place Decimal ±.005	1 Place Dec. ±.25mm	
Angles ±1°	2 Place Dec. ±.13mm	Dwg. No. GRS-4022-1600
PDF File Made	Made for: CW IND.	
Drawn by: DGW	7-19-2001	
Checked by: GG	7-24-01	
Approval: BF	7-27-01	