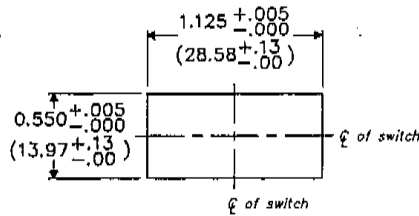
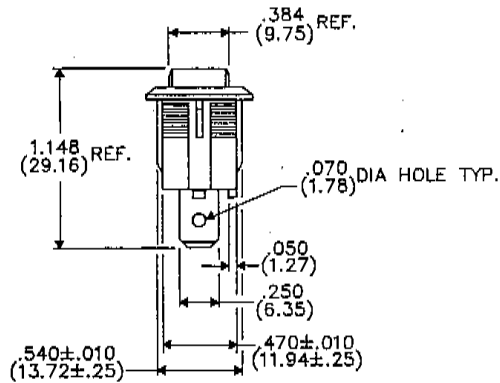
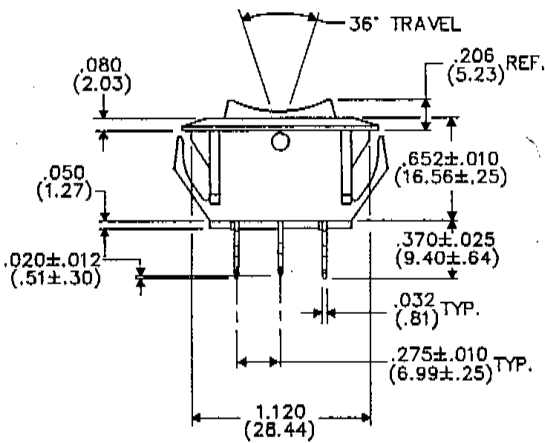


**PANEL PIERCING**



DIMENSIONS IN INCHES (MILLIMETERS)  
DO NOT SCALE DRAWING...

Drawing No.  
**GRS-2013A-2000**



REVISIONS

10	RELEASED
9	MAM 3-15-80
8	1980

**CW INDUSTRIES**  
Southampton, Pa. 18966

TOLERANCES UNLESS OTHERWISE SPECIFIED  
 2 Place decimal +.000 METRIC  
 3 Place decimal +.000 1/16 Place dec. 1.25 MM  
 Angles .1° 1/2 Place dec. .13 MM

Made for: CW Ind.  
 Drawn by: MAM 3-15-80  
 Checked by: J-H-S-U  
 Approval:

Title: **ASSEMBLY DRAWING  
CENTER OFF**

S.P.D.T. ROCKER SWITCH  
 NON-POLARIZED  
 1.125 x .550 PANEL

Division: **SWITCH**

Drawing No.  
**GRS-2013A-2000**

**MASTER**