

2000 Series: Center-Off Rocker Switches

CW's GRS-2013 Rocker Switches provide center-off three-position switching of up to 16.0 amps in styling compatible with CW two-position 2000 Series Rocker Switches. You may choose Type GRS-2013A having crisp detent action from each of three positions. Or you may need detent one end position to center, and momentary other end position to center—type GRS-2013B. Also available is type GRS-2013C—momentary each end to center. Materials used, termination options, and performance standards are the same as described for 2000 Series Rocker Switches featured on pages 8 and 9.

MOUNTING

Snaps easily into a .550" (13.97 mm) x 1.125" (28.58 mm) panel cutout ranging in thickness from .025" (0.64 mm) to .170" (4.32 mm). No need for tools or additional hardware.

CAUTION: Burr direction must be away from the direction of insertion.

HOW TO ORDER

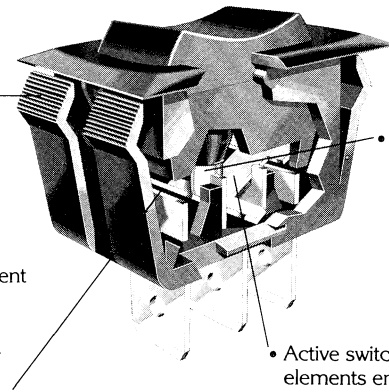
Step 1: Select part number that provides combination of detent or momentary actuation and maximum current required.

Step 2: Standard switches have .250" (6.35 mm) blade terminals for solderless connection and need no added identification. For hand soldering, specify terminal G-20-171 which has a .156" (3.96 mm) diameter hole.

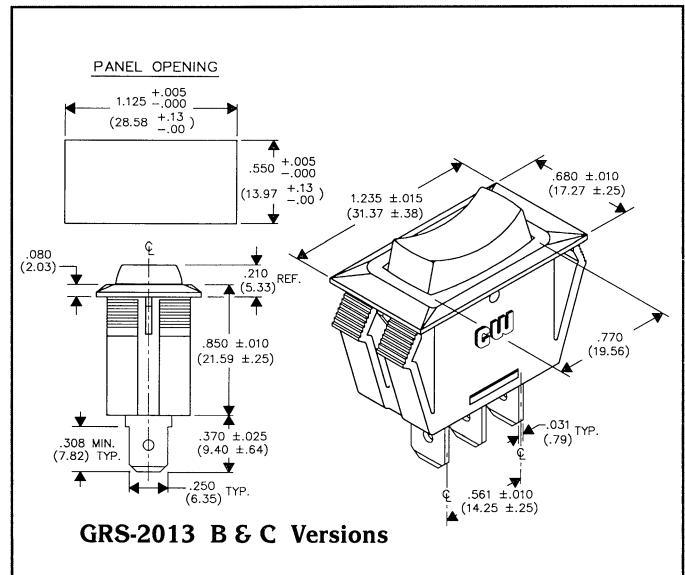
Step 3: Standard switch construction is without barriers. If needed specify "with barriers" for insulating barriers between terminals.

FEATURES

- No mounting hardware required—easy-locking panel mount.
- Light, yet positive detent action—virtually tease-proof.
- Heavy-duty switching—up to 16 A, 125 Vac.
- Metal plunger resists high temperature.
- Active switching elements enclosed and protected.



GRS-2013 Switch



TYPES AVAILABLE

TYPE	CIRCUIT	ELECTRICAL RATING†	LISTING AGENCY††
*GRS-2013A-8,-13,-16	SPDT-CO (on-OFF-on)	-8: 8 A @ 125 VAC / 4 A @ 250 VAC 3 A @ 277 VAC	UL / CSA
GRS-2013B-8,-13	SPDT-CO (mom-OFF-on)	-13: 13 A @ 125 VAC / 10 A @ 250 VAC 1/2 HP @ 125 - 250 VAC 5 A @ 14 V (T) 6 A @ 125 V (L)	UL / CSA
GRS-2013C-8,-13	SPDT-CO (mom-OFF-mom)	-16: 16 A @ 125 VAC / 12 A @ 250 VAC 3/4 HP @ 125 - 250 VAC 10 A @ 14 V (T)	UL / CSA

*See detail GRS-2012, page 9 for "A" version

†Additional ratings may be available, consult factory.

††Due to ongoing advancements, additional agency certifications may be available, consult factory.

NOTE: Momentary = mom