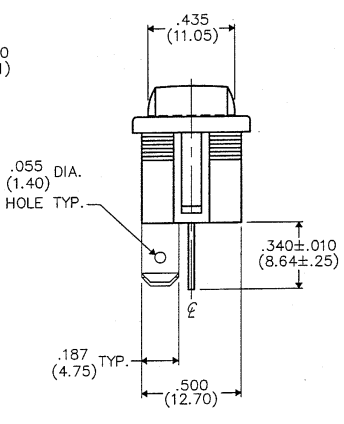
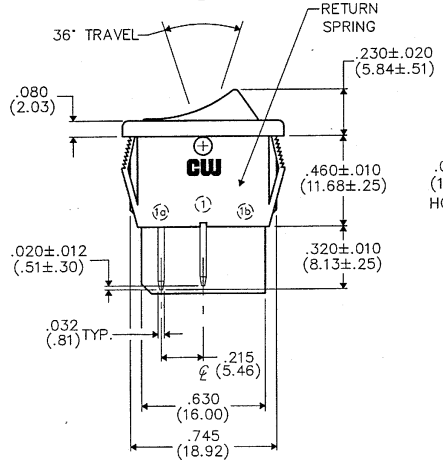
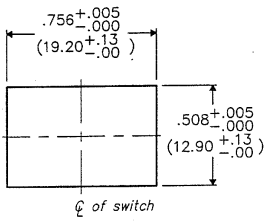
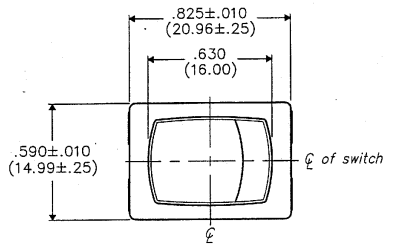


DIMENSIONS IN INCHES (MILLIMETERS)
DO NOT SCALE DRAWING

Dwg. No.
GRS-4011B-1300

PANEL PIERCING



E
D
C
B
A

1 2 3 4 5 6 7 8 9 10

FORM-B4
REVISIONS
0
RELEASED: 1-22-2002
DCW
JAN 23 2002

CW INDUSTRIES
Southampton, Pa. 18966

TOLERANCES UNLESS OTHERWISE SPECIFIED

2 Place Decimal ±.010	METRIC
3 Place Decimal ±.005	1 Place Dec. ±.25mm
Angles ±1°	2 Place Dec. ±.13mm

Made for: CW IND.
Drawn by: DCW 1-22-2002
Checked by: G.Gyld 1-23-02
Approval: B.F. [Signature] 1-23-02

Title: **ROCKER SWIDGET ASSEMBLY (POP-IN) S.P.- S.T./NO**

Division: **SWITCH**

Dwg. No. **GRS-4011B-1300**

MASTER