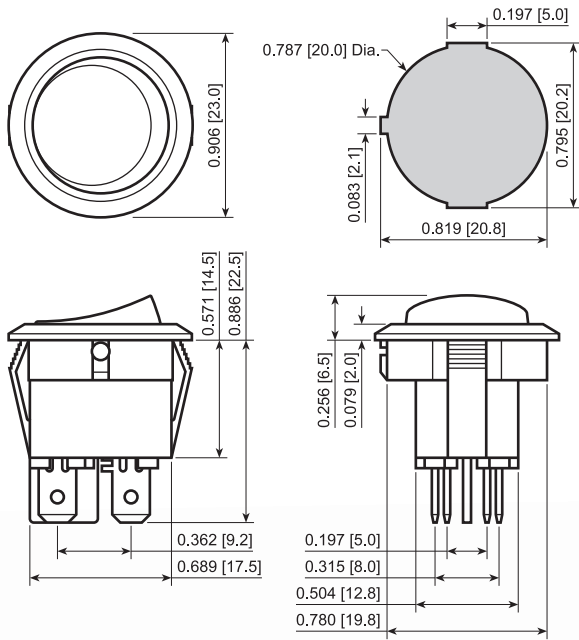


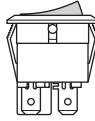
RR8 Series



Panel Cutout

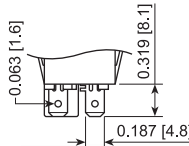


Illumination Options

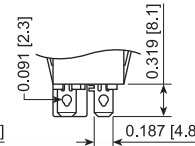


Full

Terminal Options



4.8mm Tab (Small Hole)



Solder Tab

FEATURES:

- Aesthetically Designed
- High Ratings with UL and VDE Approvals
- Full Illumination Options

SPECIFICATIONS:

RATING: RATING OPTION C:

- 16A 125VAC [UL, cUL]
- 10A 250VAC [UL, cUL]
- 1/3HP 125/250VAC [UL, cUL]
- 10(4)A 250V~ 1E4 T125/55 [VDE]
- 10(2)A 250V~ 5E4 T85/55 [VDE]

RATING OPTION 3:

- 10A 125VAC [UL, cUL]
- 6(2)A 250V~ 1E4 T125/55 [VDE]

- TEMPERATURE: -20°C to 105°C [UL, cUL]
- 20°C to 125°C [VDE]

ELECTRICAL LIFE: 10,000 Cycles

CONTACT RESISTANCE: 35mΩ Max. at 50VAC

INSULATION RESISTANCE: 100MΩ Min. at 500VAC

DIELECTRIC STRENGTH: 1,500VAC for 1 Minute

MATERIALS:

- BODY: Polyamide 6/6, UL94 V-2
- ACTUATOR: Polyamide 6/6, UL94 V-2
- Polycarbonate, UL94 V-2
- CONTACTS: Silver Alloy
- TERMINALS: Silver Plated Copper



RR81131121



RR812C1700



RR851C1100



RR852C1000-116

SPECIFICATIONS SUBJECT TO CHANGE WITHOUT NOTICE

Series	Terminal	Function	Rating	Body Color	Actuator Color	Marking Color	Marking Type	Lens Style	Lens Color	Lamp Voltage
RR8	1 - 4.8mm Tab 5 - Solder Tab	1 Pole: 1 - Off-On 2 Pole: 2 - Off-On	3 - 10A 125VAC C - 16A 125VAC	1 - Black 2 - White 3 - Almond 4 - Grey 9 - Red	0 - Full Illum. 1 - Black 2 - White 3 - Almond 4 - Grey 5 - Orange 7 - Blue 8 - Green 9 - Red	0 - None 1 - Black 2 - White 8 - Red	0 - None 1 - I/O Vert. 3 - ON/OFF Vert. 4 - ON/OFF Horiz. R - I/O Horiz.	1 - Full	0 - Clear 1 - Red 2 - Amber 3 - Green 4 - Blue	3 - 6V 4 - 12V 6 - 125V 7 - 250V

Custom Colors and Markings Available Upon Request

For Illuminated Switches Only

EXAMPLE PART NUMBERS:

RR81231100 2P Off-On
Black Body/Actuator, No Marking

RR81231121 2P Off-On
Black Body/Actuator, I/O Vert.

