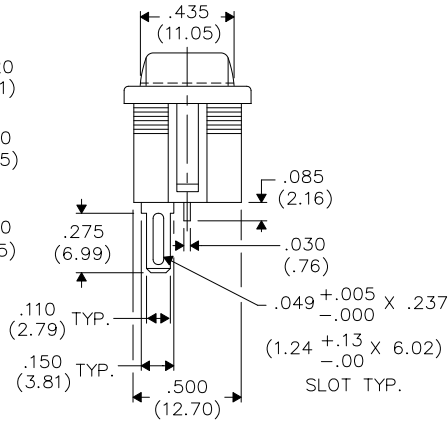
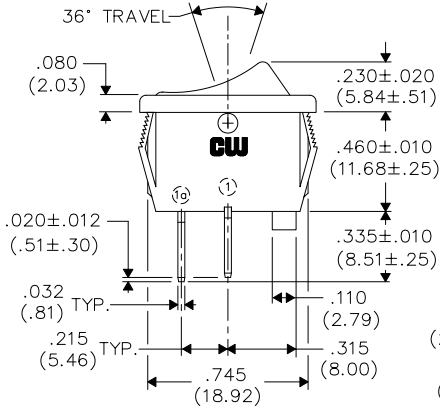
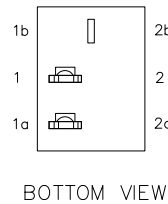
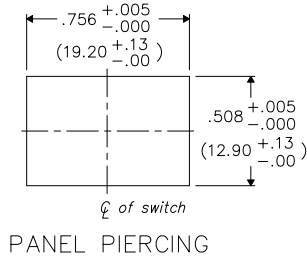
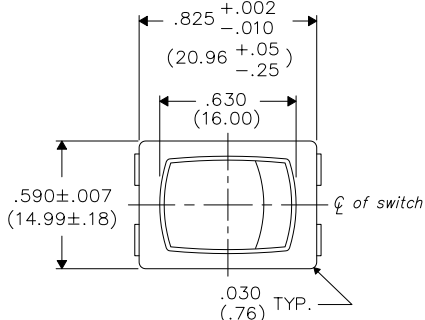


DIMENSIONS IN INCHES (MILLIMETERS)  
DO NOT SCALE DRAWING .....

Dwg. No.  
GRS-4011-0024



E									
D									
C									
B									
A									

1	2	3	4	5	6	7	8	9	10
<b>REVISIONS</b> 0 RELEASED. DWG 2-04-2002 2-06-02							<b>CW INDUSTRIES</b> Southampton, Pa. 18966 <b>TOLERANCES UNLESS OTHERWISE SPECIFIED</b> 2 Place Decimal ±.010 METRIC 3 Place Decimal ±.005 1 Place Dec. ±.25mm Angles ..... ±1' 2 Place Dec. ±.13mm		Title: ASSEMBLY DRAWING SWIDGET
Made for: CW IND. Drawn by: DGW 2-04-2002 Checked by: GG 2-06-2002 Approval: BF 2-06-2002							Division: SWITCH Dwg. No. GRS-4011-0024		