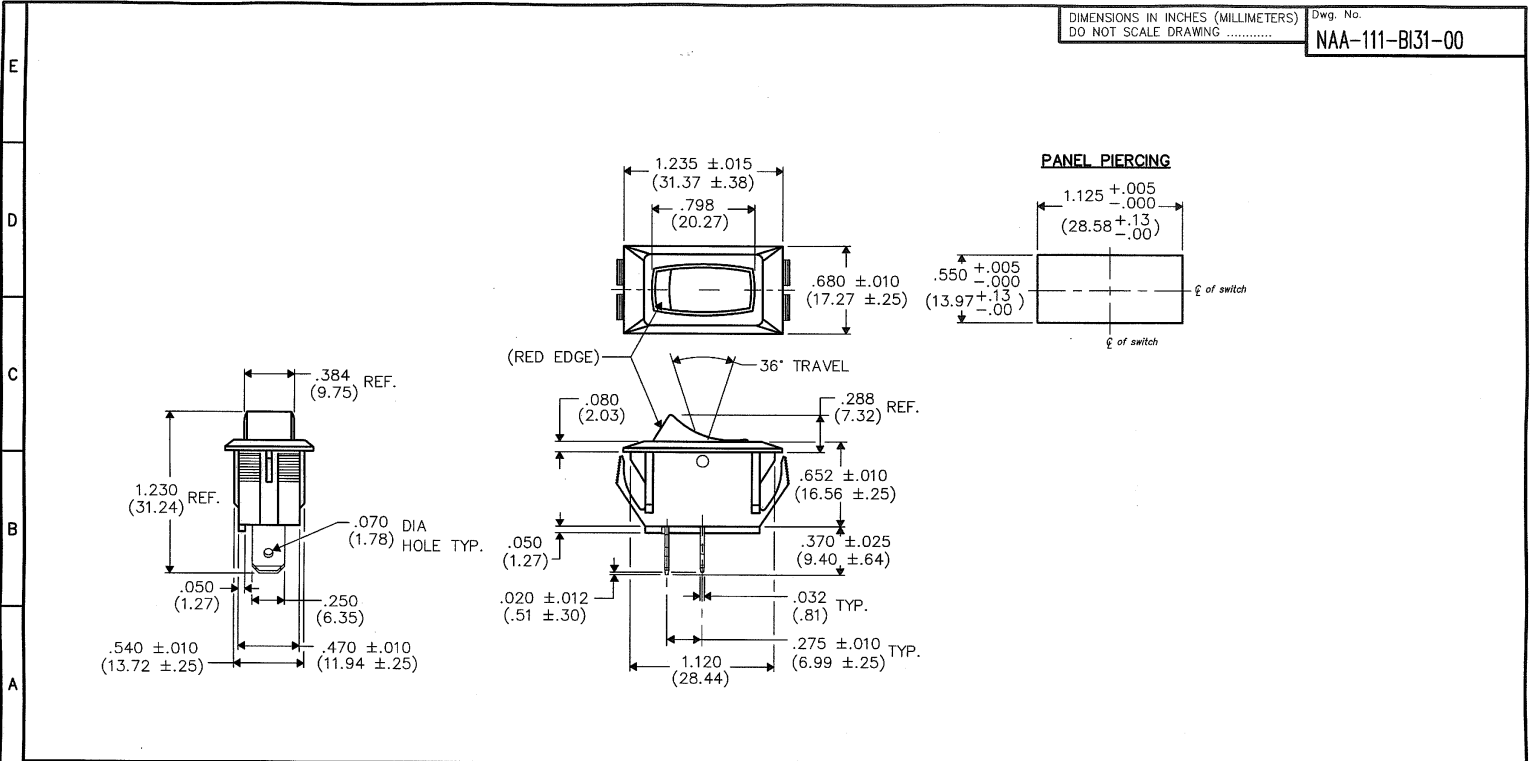


DIMENSIONS IN INCHES (MILLIMETERS)  
DO NOT SCALE DRAWING .....

Dwg. No.  
**NAA-111-BI31-00**



FORM-B4 REVISIONS 0 RELEASED: DOW 8-13-2008 AUG 15 2008	<b>CW INDUSTRIES</b> Southampton, Pa. 18966		Title: <b>INDICON UNIBODY SWITCH ASSEMBLY</b>
	TOLERANCES UNLESS OTHERWISE SPECIFIED		1.125" x .550" PANEL
	2 Place Decimal ±.010 3 Place Decimal ±.005	METRIC 1 Place Dec. ±.25mm 2 Place Dec. ±.13mm	Division: <b>SWITCH</b>
	Made for: CW IND.	Drawn by: DGW 8-13-2008	Dwg. No. <b>NAA-111-BI31-00</b>
	Checked by: <i>G. Guld 8-14-08</i>	Approval: <i>G. Guld 8-14-08</i>	

**MASTER**