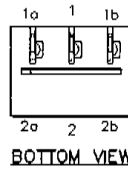
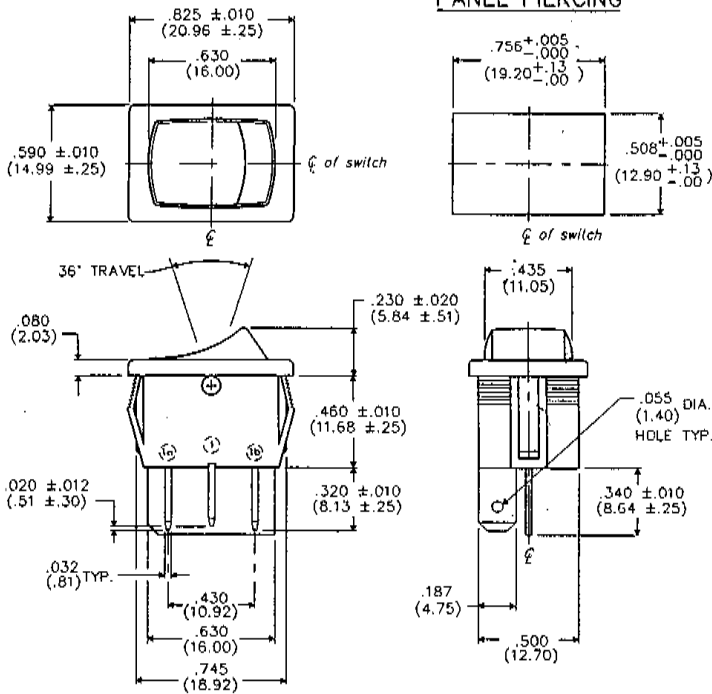


DIMENSIONS IN INCHES (MILLIMETERS)
DO NOT SCALE DRAWING

Dwg. No. GRS-4012-0026

PANEL PIERCING



E									
D									
C									
B									
A									

1	2	3	4	5	6	7	8	9	10
<p>REVISIONS</p> <p>RELEASED: 1-17-2002 BY: JAN 22 2002</p>							<p>CW INDUSTRIES Southampton, Pa 18966</p> <p>TOLERANCES UNLESS OTHERWISE SPECIFIED</p> <p>2 Place Decimal ± 0.010 METRIC</p> <p>3 Place Decimal ± 0.005 METRIC</p> <p>Angles ± 1° 1 Place Dec ± 0.25mm</p> <p>2 Place Dec ± 0.13mm</p> <p>Made for: CW IND.</p> <p>Drawn by: DGW 1-17-2002</p> <p>Checked by: G. Guld 1-21-2002</p> <p>Approval: [Signature]</p>		<p>Division: SWITCH</p> <p>Dwg. No. GRS-4012-0026</p>

MASTER