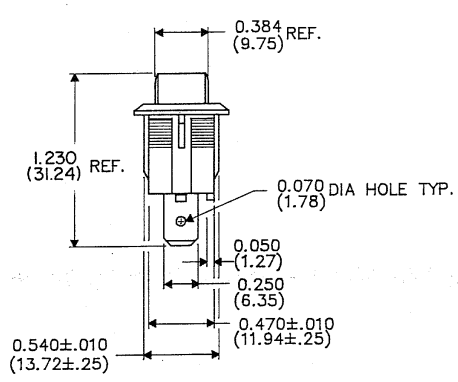
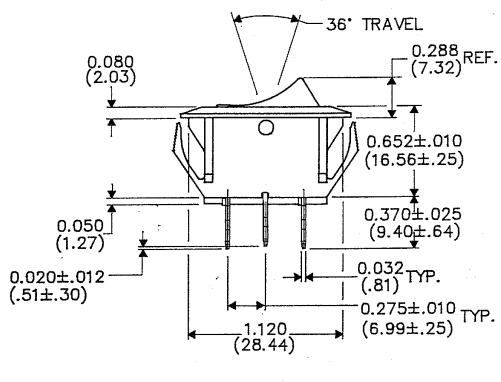
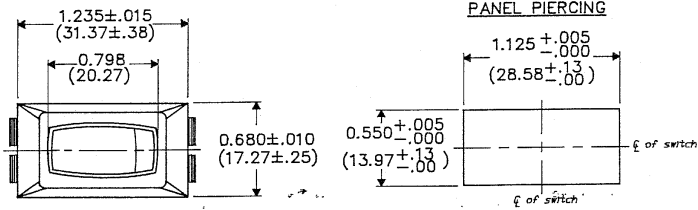


DIMENSIONS IN INCHES (MILLIMETERS)
DO NOT SCALE DRAWING... Drawing No. GRS-2012-2000



B - FORM-C
REVISIONS
0
RELEASED
4-13-89
MAN
4-13-89
2-6-80

PDF File Made	CW INDUSTRIES Southampton, Pa. 18966	Title ASSEMBLY DRAWING S.P.D.T. ROCKER SWITCH NON-POLARIZED 1.125 x .550 PANEL
	TOLERANCES UNLESS OTHERWISE SPECIFIED 2 Place decimal ±.010 METRIC 3 Place decimal ±.005 (1 Place dec. ±.25 MM Angles ±1° 1/2 Place dec. ±.15 MM	Division SWITCH
	Made for: CW	Drawing No. GRS-2012-2000
	Drawn by: MAM 4-14-89 Checked by: <i>AK</i> 4-16-89 Approval: <i>AK</i> 2-6-80	

MASTER