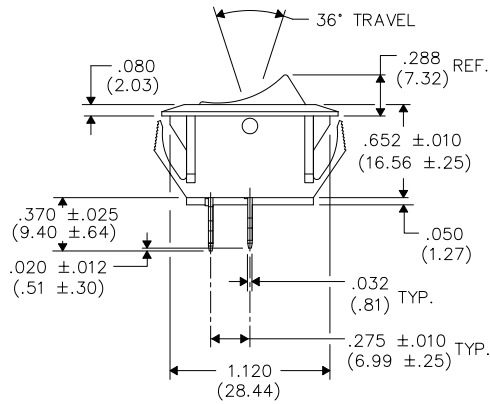
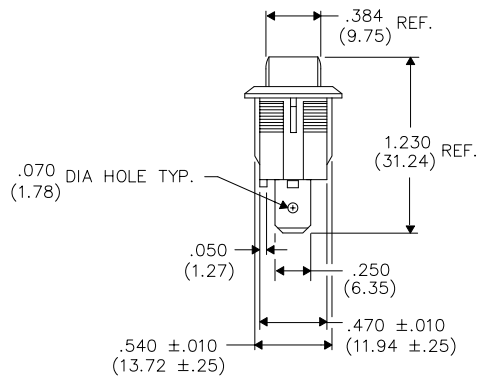
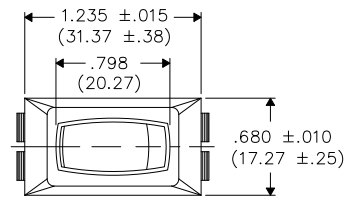
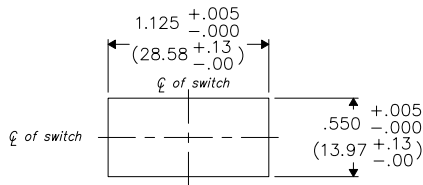


DIMENSIONS IN INCHES (MILLIMETERS)
DO NOT SCALE DRAWING

Dwg. No.
GRS-2011-2600

PANEL PIERCING



FORM-B4

REVISIONS

RELEASED.
DWG 3-21-2002

0

CW INDUSTRIES
Southampton, Pa. 18966

TOLERANCES UNLESS OTHERWISE SPECIFIED
2 Place Decimal ±.010 METRIC
3 Place Decimal ±.005 1 Place Dec. ±.25mm
Angles ±1' 2 Place Dec. ±.13mm

Made for: CW IND.

Drawn by: DGW 3-21-2002

Checked by: GG 3-27-02

Approval: bf 4-01-02

Title: ASSEMBLY DRAWING
S.P.S.T. ROCKER SWITCH
NON-POLARIZED
1.125"X .550" PANEL

Division:
SWITCH

Dwg. No.
GRS-2011-2600