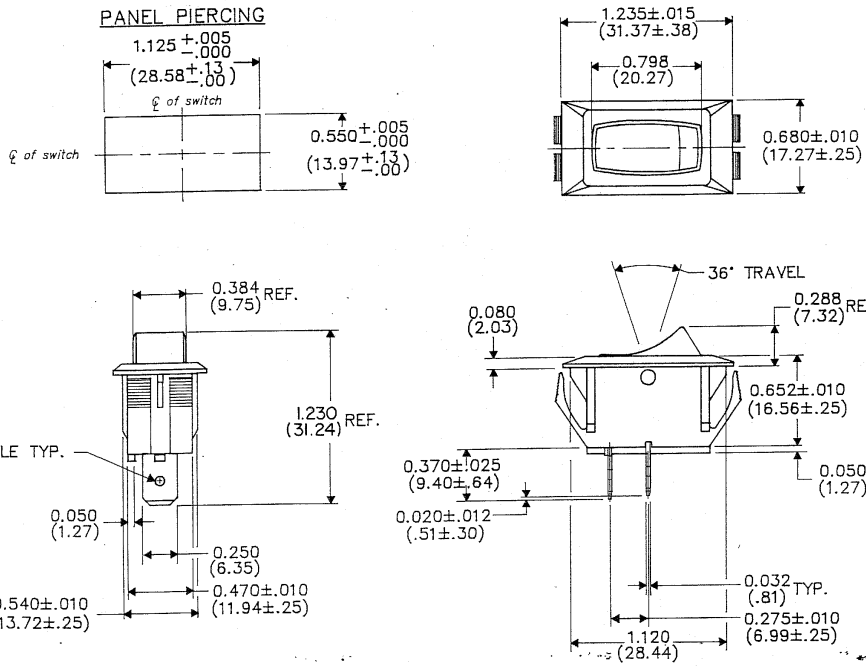


DIMENSIONS IN INCHES (MILLIMETERS)  
DO NOT SCALE DRAWING

Drawing No  
**GRS-2011-2000**



B-FORM-9  
REVISIONS  
RELEASED  
MAM 4-13-89 3AL

**CW INDUSTRIES**  
Southampton, Pa. 18966

Title **ASSEMBLY DRAWING**  
**S.P.S.T. ROCKER SWITCH**  
**NON-POLARIZED**  
**1.125 x .550 PANEL**

TOLERANCES UNLESS OTHERWISE SPECIFIED  
2 Place decimal ±.010 METRIC  
3 Place decimal ±.005 1 Place dec. ±.25 MM  
Angles ±1° 2 Place dec ±.13 MM

Made for: CW  
Drawn by: MAM 4-14-89  
Checked by: *[Signature]* 2-6-90  
Approval: *[Signature]* 2-6-90

Division **SWITCH**  
Drawing No. **GRS-2011-2000**