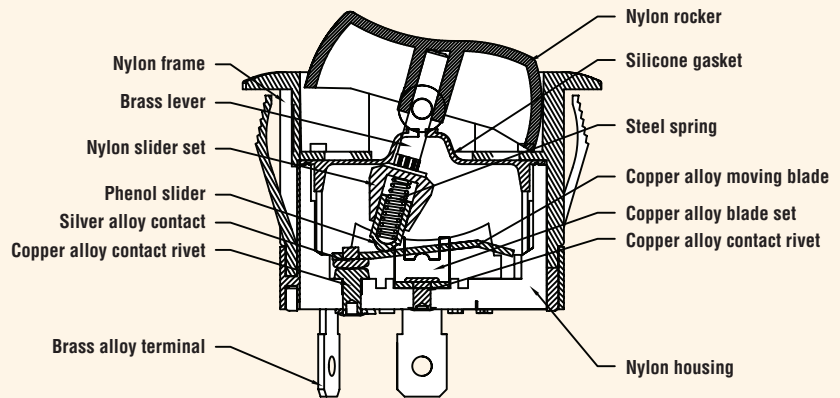


## WATERPROOF 16A ROCKER SWITCH

# KS Series

### Features

- Enclosed switch complying to IP56
- Available in single- or double-pole
- Multiple terminal options
- Snap-in mounting
- Mechanical life: 100,000 cycles
- DC electrical life: 25,000 cycles



### Electrical Ratings

Switch Series	VDC	UL1054 Rating	Electrical Life at Rated Load According to UL (Min. Operations)
KS	21A 14VDC	16A 125VAC; 10A 277VAC; 3/4HP 125-277VAC	6,000

### Specifications

#### Electrical

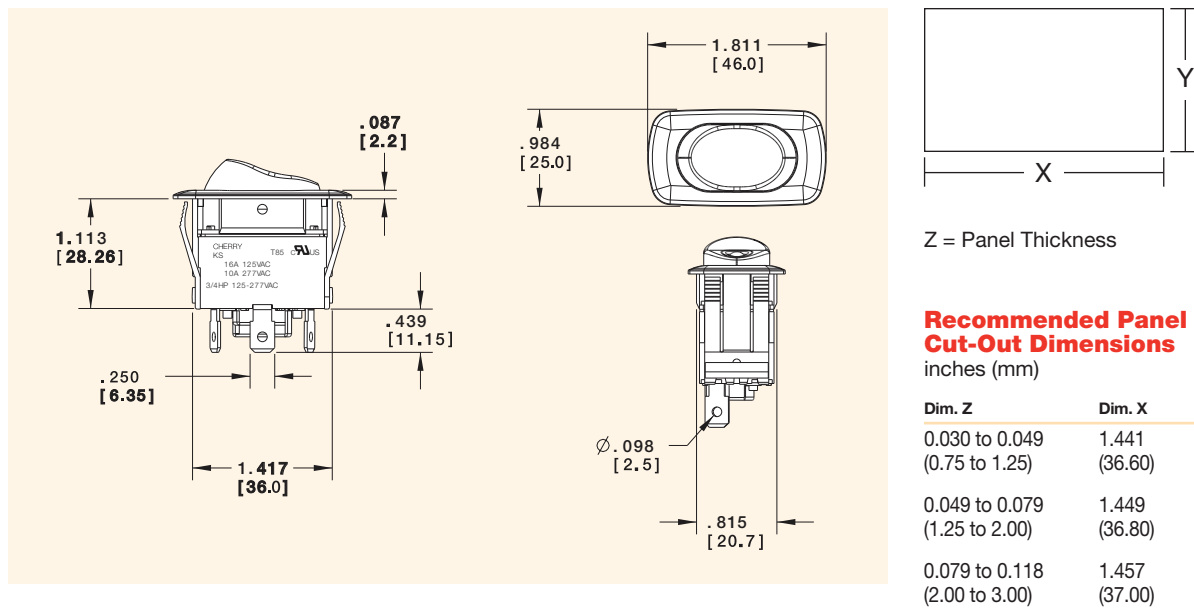
Dielectric Strength:	1500VAC for 1 minute
Insulation Resistance:	10 <sup>8</sup> ohms min at 500VDC
Initial Contact Resistance:	0.050 ohms max
Temperature Rating:	-20°C to +85°C

#### Materials

Actuator:	Nylon 66 with Glass Fiber
Housing:	Nylon 66
Bezel:	Nylon 66 with Glass Fiber
Spring:	Steel
Contacts:	Silver Inlay Copper Alloy
Movable Arm:	Silver-plated Copper Alloy
Terminals:	Silver-plated Copper Alloy



### Dimensions inches (mm)



### Recommended Panel Cut-Out Dimensions inches (mm)

Dim. Z	Dim. X	Dim. Y
0.030 to 0.049 (0.75 to 1.25)	1.441 (36.60)	0.835 (21.2)
0.049 to 0.079 (1.25 to 2.00)	1.449 (36.80)	0.835 (21.2)
0.079 to 0.118 (2.00 to 3.00)	1.457 (37.00)	0.835 (21.2)

### Examples of Common Part Numbers and Descriptions inches (mm)

Part Number	Circuitry	Switch Function	Terminal Type	Actuator/Housing Color	Legend Marking
KSF2ANB1BBD		On - Off	0.250 (6.3) Quick Connect	Black/Black	
KSF2BNB1BBB		On - On	0.250 (6.3) Quick Connect	Black/Black	

### Ordering Information

<b>KS</b>	<b>F</b>	<b>2</b>	<b>A</b>	<b>N B</b>	<b>1 B</b>	<b>B</b>	<b>B</b>
<b>Series</b>	<b>Code</b>	<b>Circuitry</b>	<b>Code</b>	<b>Code</b>	<b>Code</b>	<b>Code</b>	<b>Code</b>
	2	Single-Pole	A	B	A	B	B
	3	Double-Pole	B	S	B	B	C
				T	G		D
					L		E
					R		F
					W		G
							H
							J
							K
							L
							M

<b>Code</b>	<b>Contact Rating</b>
F	16A 125VAC 10A 277VAC 3/4HP 125-277 VAC

<b>Code</b>	<b>Switch Function</b>
A	On - Off
B	On - On

<b>Code</b>	<b>Terminal Type</b>
B	0.250 (6.35) Quick Connect
S	Screw (No. 6-32UNC)
T	Solder (Square) 0.189 (4.8)

<b>Code</b>	<b>Non-Lighted/Lighted</b>
N	Non-Lighted

<b>Code</b>	<b>Actuator Color</b>
A	Amber
B	Black
G	Green
L	Blue
R	Red
W	White

<b>Code</b>	<b>Housing Color</b>
B	Black

<b>Code</b>	<b>Actuator Type</b>
1	Non-Lighted

<b>Code</b>	<b>Actuator Marking*</b>
B	Blank
C	•
D	O -
E	O
F	
G	- =
H	
J	
K	
L	
M	

\*Only available for non-lighted