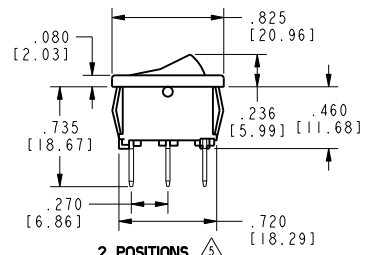
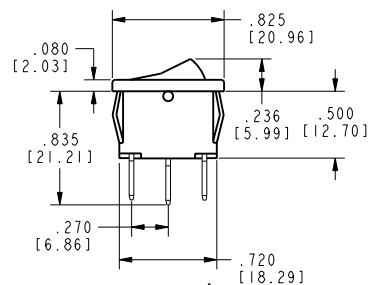


HONEYWELL  
PART NUMBER

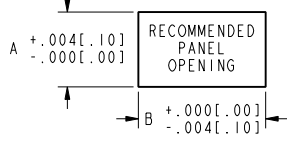
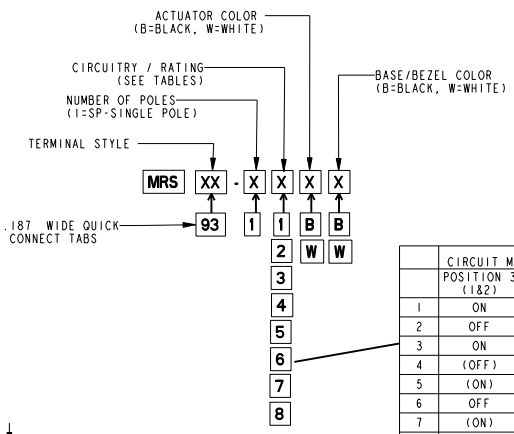
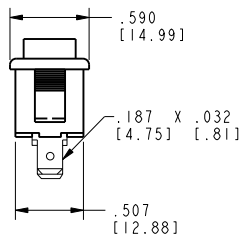
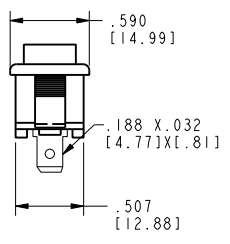
REV	DOCUMENT	CHANGED BY	CHECK
A	0016263	KSR 27OCT05	RJ



2 POSITIONS  $\Delta$ 5



3 POSITIONS  $\Delta$ 6



	CIRCUIT MADE WITH ROCKER IN $\Delta$			ELECTRICAL RATING
	POSITION 3 (1&2)	POSITION 2 (2&3)	POSITION 1 (2&3)	
1	ON	OFF	ON	2
2	OFF	NONE	ON	1
3	ON	NONE	ON	1
4	(OFF)	NONE	ON	3
5	(ON)	OFF	ON	2
6	OFF	NONE	(ON)	3
7	(ON)	OFF	(ON)	2
8	(ON)	NONE	ON	3

PANEL THICKNESS	A	B
.030[.76]-.050[1.27]	.508[12.90]	.756[19.20]
.050[1.27]-.078[1.98]	.508[12.90]	.764[19.40]
.078[1.98]-.125[3.17]	.508[12.90]	.780[19.81]

ELECTRICAL RATINGS		
1	10A, 125VAC 1/4HP, 125-250VAC	UL CSA
2	8A, 125-250VAC 1/4HP, 125-250VAC	
3	12A, 125VAC 6A, 250VAC 1/4HP, 125-250VAC	

- 1 - OPERATING TEMPERATURE RANGE : 32°F TO 185°F
- 2 - ELECTRICAL LIFE : 50,000 CYCLES MOMENTARY, 100,000 CYCLES MAINTAINED.
- 3 - MECHANICAL LIFE : 100,000 CYCLES
- $\Delta$  - SEE DIAGRAM FOR CATALOGING SCHEME
- $\Delta$  - CATALOG LISTINGS WITH CIRCUITRY OF "NONE" FOR POSITION 2
- $\Delta$  - CATALOG LISTINGS WITH CIRCUITRY OF "OFF" FOR POSITION 2
- $\Delta$  - PARENTHESES DENOTE MOMENTARY ACTION

DESIGN UNITS: INCH	DRAWN	NM	15 JUN 05
TOLERANCES UNLESS NOTED:	CHECK	RJ	27OCT05
NO PLACE X ± 0.040	THIS DRAWING COVERS A PROPRIETARY ITEM AND IS THE PROPERTY OF HONEYWELL. THIS DRAWING IS NOT TO BE COPIED OR USED WITHOUT THE PERMISSION OF HONEYWELL.		
ONE PLACE .X ± 0.030	INTERPRET PER ASME Y14.5M-1994 OTHER HONEYWELL ENGINEERING STANDARDS MAY APPLY		
TWO PLACE .XX ± 0.015	Pro/ENGINEER 2D		
THREE PLACE .XXX ± 0.015			
FOUR PLACE .XXXX ± 0.0005			
ANGLES X ± 2			

THIRD ANGLE PROJECTION

**Honeywell**

**SWITCH , ROCKER**

SIZE	TYPE	DRAWING NAME	REV
B	I	MRS SERIES CHART 1	A
SCALE	-	SHEET	1 OF 1