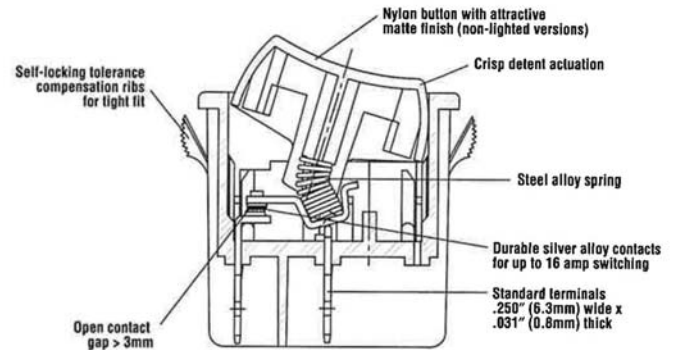


# Double-Pole Rocker Switch WR Series



## Features

- Rugged design for 2-pole high current designs
- Lighted and non-lighted
- Maintained action and momentary
- Single pole and double pole

Electrical Ratings				
Switch Series	EN61058 Rating	UL1054 Rating	Electrical Life at Rated Load	
			According to VDE (Min. Operations)	According to UL (Min. Operations)
WR	16(4)A, 250V, 10(2)A 250VAC, T125 5E4	16A, 125/250VAC; 1/4HP@125/250 VAC, 3/4HP @250VAC	10,000	6,000

Electrical Specifications		Material Specifications	
<b>Ratings:</b>	16A, 125/250VAC; 1/4HP@125/250VAC; 3/4HP@250 (UL) 16A, 125/250VAC; 1/4HP@125/250VAC (CSA) 16(4)A, 250V~, 10(2) 250VAC, T125 5E4 (VDE)	<b>Actuator (non-lighted):</b>	Nylon 66 94V-2
<b>Dielectric Strength:</b>	1000VAC for 1 minute	<b>(lighted):</b>	Polycarbonate
<b>Insulation Resistance:</b>	100M ohms min at 500VDC	<b>Base:</b>	Nylon 66 94V-2
<b>Initial Contact Resistance:</b>	0.020 ohms max	<b>Spring:</b>	Steel Wire
<b>Temperature Range:</b>	-20°C to + 65°C	<b>Contacts:</b>	Silver Alloy
		<b>Movable Arm:</b>	Silver-Plated Copper Alloy
		<b>Terminals:</b>	Tin-Plated Copper Alloy

RoHS Compliant  
UL File No: E23301



Specifications subject to change without notice.



