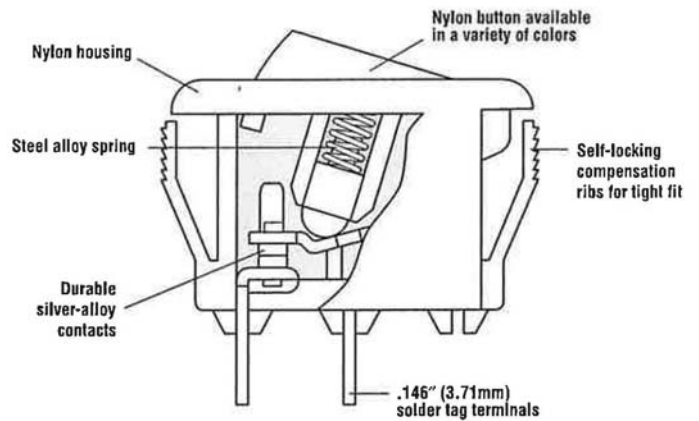


# Single-Pole Rocker Switch PR Series



## Features

- Smallest agency approved rocker switch
- Available in a variety of colors
- Low-profile design
- Mechanical life: min. 50,000 operations

Electrical Ratings				
Switch Series	EN61058 Rating	UL1054 Rating	Electrical Life at Rated Load	
			According to VDE (Min. Operations)	According to UL (Min. Operations)
PR	3A, 250VAC, T100/55	6A, 125VAC; 3A 250VAC	10,000	6,000

Electrical Specifications		Material Specifications	
<b>Ratings:</b>	6A, 125VAC; 3A 250VAC (cULus) 3A, 250VAC, T100/55 (VDE)	<b>Actuator:</b>	Nylon 66 94V-2
<b>Dielectric Strength:</b>	1000VAC for 1 minute	<b>Base:</b>	Nylon 66 94V-2
<b>Insulation Resistance:</b>	100M ohms min at 500VDC	<b>Spring:</b>	Piano Wire
<b>Initial Contact Resistance:</b>	20μ ohms max	<b>Contacts:</b>	Steel Alloy
<b>Temperature Range:</b>	-0°C to + 100°C (VDE) -20°C to + 65°C (UL)	<b>Movable Arm:</b>	Silver-Plated Copper Alloy
		<b>Terminals:</b>	Silver-Plated Copper Alloy

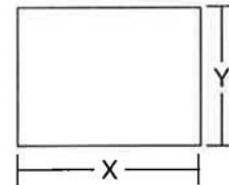
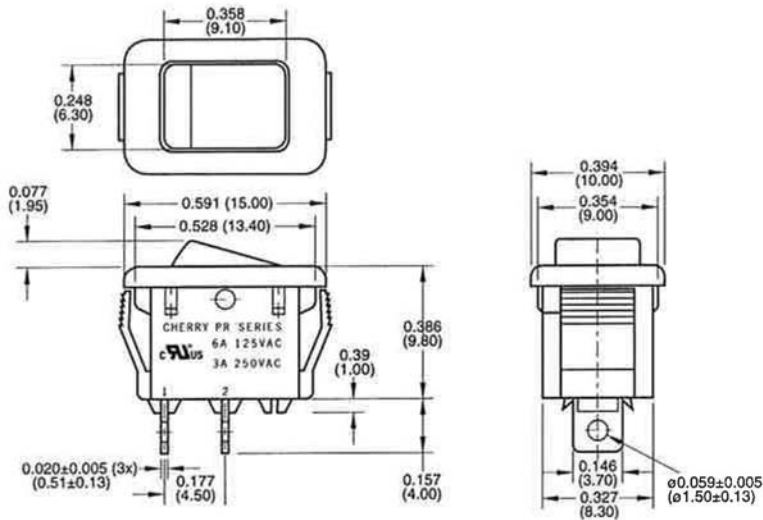


RoHS Compliant  
UL File No: E23301



Specifications subject to change without notice.

# Single-Pole Rocker Switch PR Series



### Recommended Panel Cut-Out Dimensions

Dim. Z	Dim. X	Dim. Y
0.030 to 0.049 (0.75 to 1.25)	0.535 (13.6)	0.362 ±.004 (9.2 ±0.10)
0.049 to 0.079 (1.25 to 2.00)	0.539 (13.7)	0.362 ±.004 (9.2 ±0.10)
0.079 to 0.098 (2.00 to 2.50)	0.543 (13.8)	0.362 ±.004 (9.2 ±0.10)

<b>PR</b> Series	<b>K</b> Code	<b>2</b> Circuitry	<b>2</b> Code	<b>On - Off</b> Switch Function	<b>5</b> Code	<b>Flat</b> Actuator Type	<b>B</b> Code	<b>Black</b> Housing Color	<b>N</b> Code	<b>Non-Lighted</b> Lighted
<b>K</b> Code	<b>6a 125VAC; 3A 250VAC (UL, cUL) 3a 250V~ T100/55 (VDE)</b> Contact Rating		<b>J</b> Code	<b>0.146 (3.71)</b> Terminal type inches (mm)	<b>Solder Tag</b> Terminal type	<b>B</b> Code	<b>Black</b> Actuator Color	<b>N</b> Code	<b>No Rocker Boot</b> Splashproof	
<b>W</b> Code	<b>White</b> Housing Color		<b>C</b> Code	<b>Blank</b> Actuator Marking	<b>B</b> Code	<b>Black</b> Actuator Color				
<b>Y</b> Code	<b>Grey</b> Housing Color		<b>D</b> Code	<b>Blank</b> Actuator Marking	<b>R</b> Code	<b>Red</b> Actuator Color				
			<b>E</b> Code	<b>Blank</b> Actuator Marking	<b>W</b> Code	<b>White</b> Actuator Color				
			<b>F</b> Code	<b>Blank</b> Actuator Marking	<b>Y</b> Code	<b>Grey</b> Actuator Color				
			<b>G</b> Code	<b>Blank</b> Actuator Marking						

### Examples of Common Part Numbers and Descriptions inches (mm)

Part Number	Circuitry	Switch Function	Terminal Type	Actuator/ Housing Color	Legend Marking
PRK22J5BBBNN		On - Off	0.146 (3.71) Solder Tag	Black/ Black	
PRK22J5DBBNN		On - Off	0.146 (3.71) Solder Tag	Black/ Black	

### Contact

Call, fax or visit our Website for more information.

**ZF Electronics Corporation**  
11200 88th Avenue  
Pleasant Prairie, WI 53158

Phone: 262.942.6500  
Web: [www.cherrycorp.com](http://www.cherrycorp.com)  
Email: [cep\\_sales@zf.com](mailto:cep_sales@zf.com)  
Fax: 262.942.6566

The manufacturer accepts no liability for errors or non-availability, and reserves the right to change specifications without prior notice.

Technical data relates to product specifications only. Features may differ from those described. Only drawings combined with product specifications shall be deemed binding.

© 2007 ZF Electronics Corporation

Last Updated: 1/20/11

