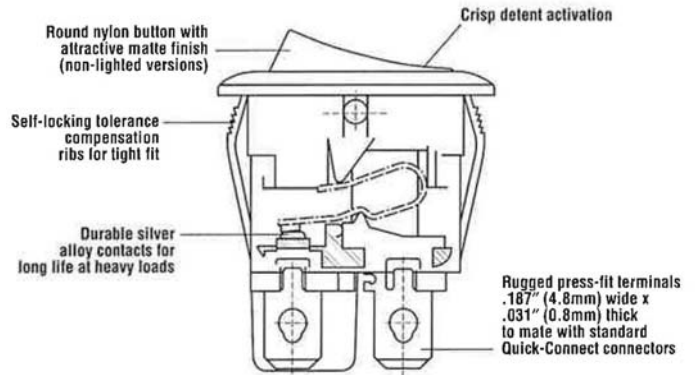


Double-Pole Round Rocker Switch RR Series



Features

- Single Pole and Double pole configurations
- Lighted and non-lighted options
- Industry standard cutout
- Mechanical life: min. 100,000 operations

Electrical Ratings				
Switch Series	EN61058 Rating	UL1054 Rating	Electrical Life at Rated Load	
			According to VDE (Min. Operations)	According to UL (Min. Operations)
RR	10(4)A, 250V~ T125/55	10A, 125VAC; 8A 250VAC, 1/4HP; 125/250VAC	10,000	6,000

Electrical Specifications		Material Specifications	
Ratings:	10A, 125VAC; 8A 250VAC, 1/4HP; (UL) 12A, 125VAC; 10A 250VAC, 1/4HP (CSA) 10(4)A, 250V~ T125/55 (VDE)	Actuator:	Nylon 66 94V-2
Dielectric Strength:	1000VAC for 1 minute	Base:	Nylon 66 94V-2
Insulation Resistance:	100M ohms min at 500VDC	Spring:	Steel Wire
Initial Contact Resistance:	0.020 ohms max	Contacts:	Silver Alloy
Temperature Range:	-20°C to + 65°C	Movable Arm:	Copper Alloy
		Terminals:	Tin-Plated Copper Alloy



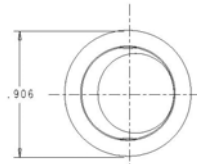
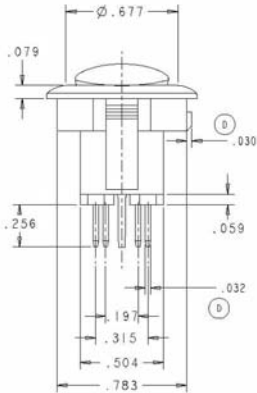
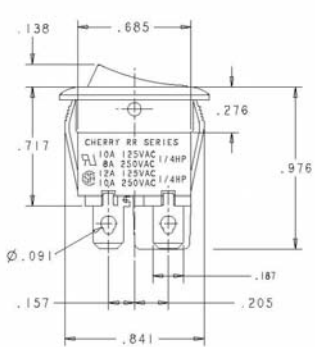
RoHS Compliant
UL File No: E23301

Specifications subject to change without notice.

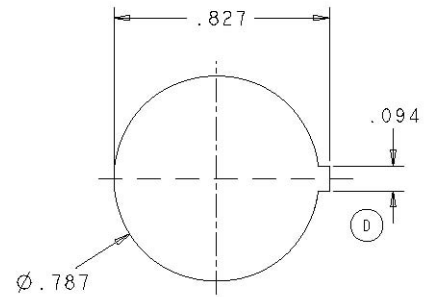


Single-Pole Rocker Switch RR Series

Dimensions inches



Recommended Panel Cut-Out Dimensions
Inches(mm)
0.039 to 0.078 (1.0 to 2.0)



Ordering Information

RR Series	A Code	2 Code	2 Code	H Code	3 Code	F Code	B Code	B Code	N Code	N Code
	Contact Rating	Circuitry	Switch Function	Actuator Type	Actuator Marking	Housing Color	Actuator Color	Lighted	Splashproof	
	A 10A, 125VAC; 8A, 250VAC; 1/4HP, 125/250VAC (UL) 12A, 125VAC; 10A 250VAC; 1/4HP, 125/250VAC (CSA) 10(4)A, 250V~μ T125/55	2 Single Pole 3 Double Pole	2 On - Off	3 Round	B Blank D O E O I F O - G -	B Black W White Y Grey E Charcoal Grey	A Amber B Black G Green R Red W White Y Grey E Charcoal Grey	N Non-Lighted L Lighted (Bulb 125VAC) E Lighted (Bulb 250VAC) G Lighted 6VDC Incandescent H Lighted 12VDC Incandescent	N No Rocker Boot	
	Terminal type inches (mm)									
	H 0.187 (4.8) OC									
	L PC Thru-Hole Right Angle									
	M PC Thru-Hole Straight									

Examples of Common Part Numbers and Descriptions inches (mm)

Part Number	Circuitry	Switch Function	Terminal Type	Actuator/ Housing Color	Legend Marking
RRA22H3BBBNN		On - Off	0.187 (4.8) Quick-Connect	Black/ Black	
RRA32H3FBNN		On - Off	0.187 (4.8) Quick-Connect	Black/ Black	
RRA22H3BWWNN		On - Off	0.187 (4.8) Quick-Connect	White/ White	
RRA22H3FBRNN		On - Off	0.187 (4.8) Quick-Connect	Red/ Black	
RRA22H3BBRLN		On - Off/Lighted	0.187 (4.8) Quick-Connect	Red/ Black	
RRA32H3BBRLN		On - Off/Lighted	0.187 (4.8) Quick-Connect	Red/ Black	

Contact

Call, fax or visit our Website for more information.

ZF Electronics Corporation
11200 88th Avenue
Pleasant Prairie, WI 53158

Phone: 262.942.6500
Web: www.cherrycorp.com
Email: cep_sales@zf.com
Fax: 262.942.6566

The manufacturer accepts no liability for errors or non-availability, and reserves the right to change specifications without prior notice.

Technical data relates to product specifications only. Features may differ from those described. Only drawings combined with product specifications shall be deemed binding.

© 2007 ZF Electronics Corporation

Last Updated: 1/20/11

