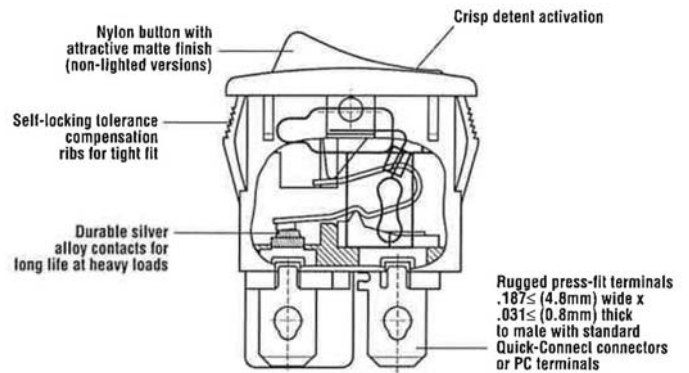


Single-Pole Rocker Switch LR Series



Features

- Single-throw and double-throw options
- Lighted and non-lighted options
- Industry standard mounting dimensions
- Mechanical life: min. 100,000 operations

Electrical Ratings				
Switch Series	EN61058 Rating	UL1054 Rating	Electrical Life at Rated Load	
			According to VDE (Min. Operations)	According to UL (Min. Operations)
LR	10(4)A, 250V~T125/55	10A 125VAC, 8A 250VAC; 1/4HP	10,000	6,000

Electrical Specifications		Material Specifications	
Ratings:	10A 125VAC; 8A 250VAC 1/4HP (UL) 12A 125VAC; 10A 250VAC; 1/4HP CSA) 10(4)A, 250V~ T125/55 (VDE)	Actuator: (non-lighted)	Nylon 66 94V-2
Dielectric Strength:	1000VAC for 1 minute	(lighted)	Polycarbonate
Insulation Resistance:	100M ohms min at 500VDC	Base:	Nylon 66 94V-2
Initial Contact Resistance:	0.020 ohms max	Spring:	Steel Wire
Temperature Range:	-20°C to + 65°C	Contacts:	Silver Alloy
		Movable Arm:	Copper Alloy
		Terminals:	Tin-Plated Copper Alloy



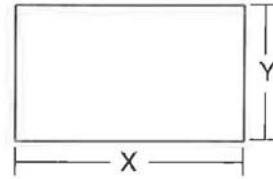
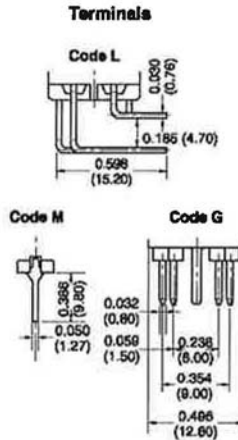
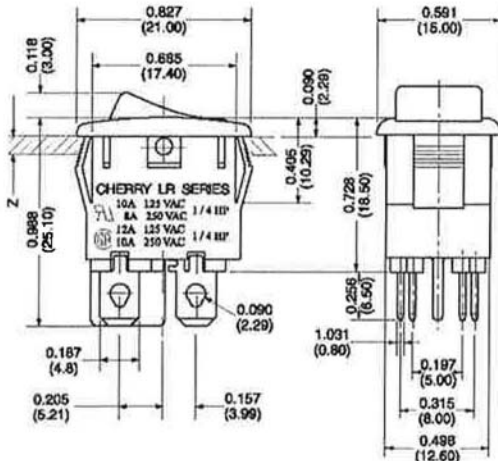
RoHS Compliant
UL File No: E23301

Specifications subject to change without notice.



Double-Pole Rocker Switch LR Series

Dimensions (inches)



Z = Panel Thickness

Recommended Panel Cut-Out Dimensions

inches (mm)

Dim. Z	Dim. X	Dim. Y
0.030 to 0.049 (0.75 to 1.25)	0.752 (19.10)	0.508 (12.90)
0.049 to 0.079 (1.25 to 2.00)	0.760 (19.30)	0.508 (12.90)
0.079 to 0.118 (2.00 to 3.00)	0.775 (19.69)	0.508 (12.90)

Ordering Information

LR Series	A Code	2 Circuitry	2 Code	2 Switch Function	H Code	2 Actuator Type	F Code	B Housing Color	N Code	N Lighted
		2 Single Pole 3 Double Pole		2 On - Off		2 Round		B Black W White Y Grey E Charcoal Grey		N Non-Lighted L Lighted (Bulb 125VAC) E Lighted (Bulb 250VAC) F Lighted (5VDC Incandescent) G Lighted (6VDC Incandescent) H Lighted (12VDC Incandescent)
	A Code	10A 125VAC, 8A 250VAC 1/4HP (UL) 12A 125VAC, 10A 250VAC, 1/4HP CSA) 10(4)A, 250V~ T125/55 (VDE) Contact Rating			H Code	D Code	B Code	A Code	N Code	S Code
					H 0.187 (4.8) OC L PC Thru-Hole Right Angle M PC Thru-Hole Straight B PC Thru-Hole Left Angle	D Blank E O I F O - G .	B Amber Black Green Red White Grey Charcoal Grey	A Amber Black Green Red White Grey Charcoal Grey	N No Rocker Boot S Rocker Boot	

Examples of Common Part Numbers and Descriptions inches (mm)

Part Number	Circuitry	Switch Function	Terminal Type	Actuator/ Housing Color	Legend Marking
LRA22H2FBBNN		On - Off	0.187 (4.8) Quick-Connect	Black/Black	
LRA32H2FBBNN		On - Off	0.187 (4.8) Quick-Connect	Black/Black	
LRA22H2BBBNN		On - Off	0.187 (4.8) Quick-Connect	Black/Black	
LRA32H2BBBNN		On - Off	0.187 (4.8) Quick-Connect	Black/Black	
LRA22H2BBRLN		On - Off/Lighted	0.187 (4.8) Quick-Connect	Red/Black	
LRA32H2BBRLN		On - Off/Lighted	0.187 (4.8) Quick-Connect	Red/Black	

Boot #0015-0644

Contact

Call, fax or visit our Website for more information.

ZF Electronics Corporation
11200 88th Avenue
Pleasant Prairie, WI 53158

Phone: 262.942.6500
Web: www.cherrycorp.com
Email: cep_sales@zf.com
Fax: 262.942.6566

The manufacturer accepts no liability for errors or non-availability, and reserves the right to change specifications without prior notice.

Technical data relates to product specifications only. Features may differ from those described. Only drawings combined with product specifications shall be deemed binding.

© 2007 ZF Electronics Corporation

Last Updated: 1/24/11

