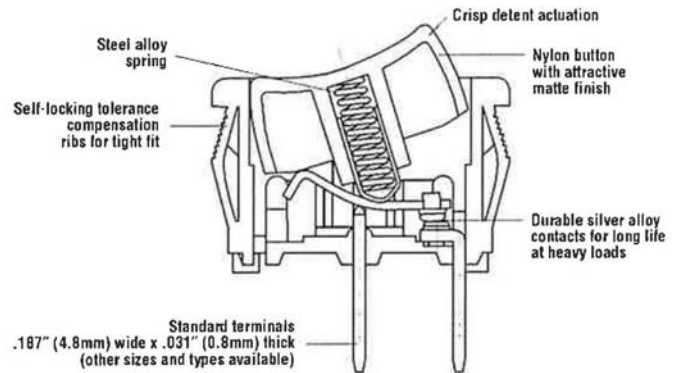


# Single-Pole Rocker Switch SR Series



## Features

- Single-throw and double-throw options
- Variety of terminal options
- Industry standard mounting dimensions
- Mechanical life: min. 100,000 operations

Electrical Ratings				
Switch Series	EN61058 Rating	UL1054 Rating	Electrical Life at Rated Load	
			According to VDE (Min. Operations)	According to UL (Min. Operations)
SR	10(4)A, 250V~, μT85	10A 125VAC, 6A 250VAC	10,000	6,000

Electrical Specifications		Material Specifications	
<b>Ratings:</b>	10A 125VAC; 6A 250VAC (UL,CSA) 10(4)A, 250V~, μT85	<b>Actuator:</b>	Nylon 66 94V-2
<b>Dielectric Strength:</b>	1000VAC for 1 minute	<b>Base:</b>	Nylon 66 94V-2
<b>Insulation Resistance:</b>	100M ohms min at 500VDC	<b>Spring:</b>	Steel Wire
<b>Initial Contact Resistance:</b>	0.020 ohms max	<b>Contacts:</b>	Silver or Copper Alloy
<b>Temperature Range:</b>	-20°C to + 65°C	<b>Movable Arm:</b>	Silver-Plated Copper Alloy
		<b>Terminals:</b>	Tin-Plated Copper Alloy



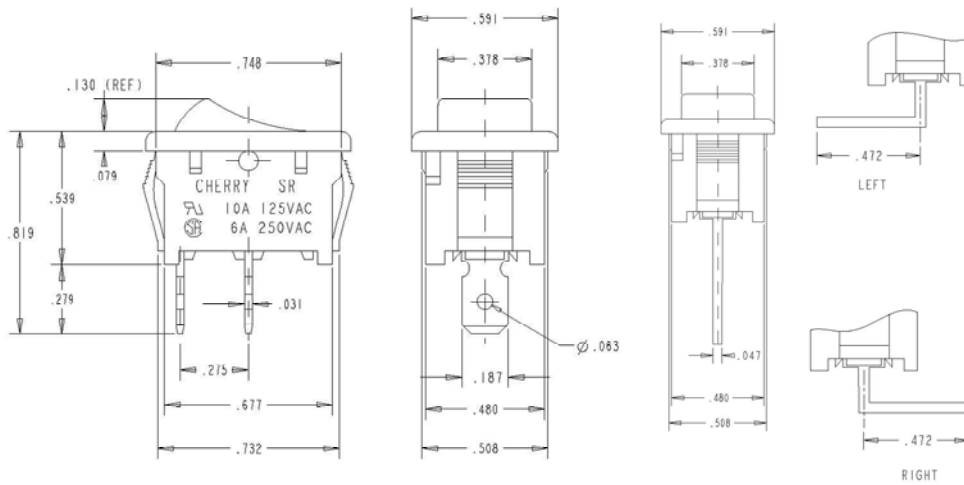
RoHS Compliant  
UL File No: E23301

Specifications subject to change without notice.

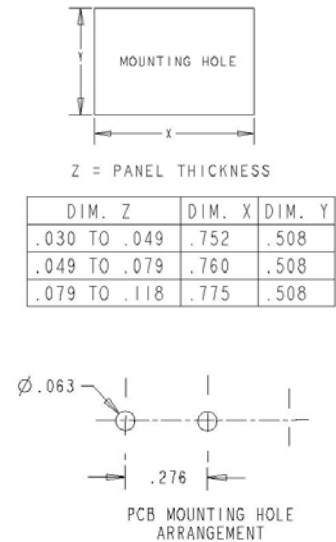


# Single-Pole Rocker Switch SR Series

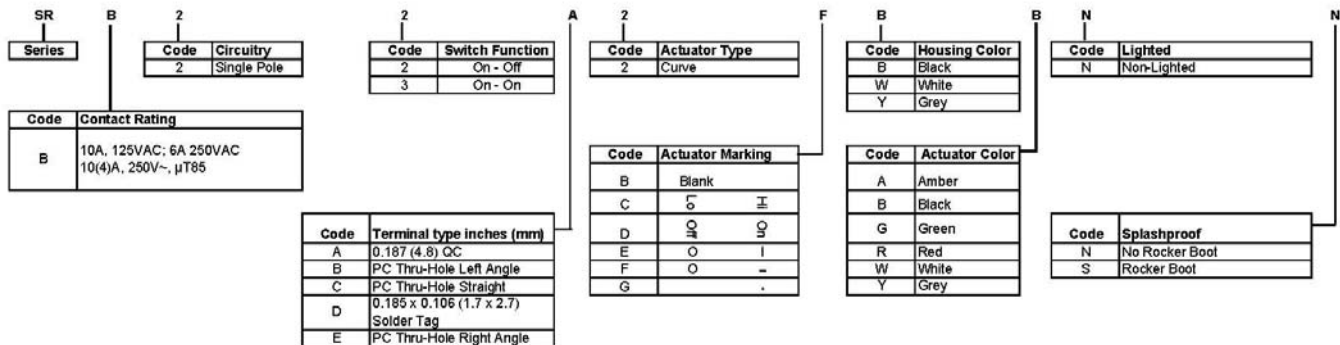
## Dimensions (inches)



## Recommended Panel Cut-Out Dimensions inches



## Ordering Information



## Examples of Common Part Numbers and Descriptions inches (mm)

Part Number	Circuitry	Switch Function	Terminal Type	Actuator/ Housing Color	Legend Marking
SRB22A2FBBNN		On - Off	0.187 (4.8) Quick-Connect	Black/Black	
SRB22A2BBBNN		On - Off	0.187 (4.8) Quick-Connect	Black/Black	
SRB22A2DBBNN		On - Off	0.187 (4.8) Quick-Connect	Black/Black	
SRB23A2BBBNN		On - On	0.187 (4.8) Quick-Connect	Black/Black	

## Contact

Call, fax or visit our Website for more information.

**ZF Electronics Corporation**  
11200 88th Avenue  
Pleasant Prairie, WI 53158

Phone: 262.942.6500  
Web: [www.cherrycorp.com](http://www.cherrycorp.com)  
Email: [cep\\_sales@zf.com](mailto:cep_sales@zf.com)  
Fax: 262.942.6566

The manufacturer accepts no liability for errors or non-availability, and reserves the right to change specifications without prior notice.

Technical data relates to product specifications only. Features may differ from those described. Only drawings combined with product specifications shall be deemed binding.

© 2007 ZF Electronics Corporation

Last Updated: 1/20/11

