

4

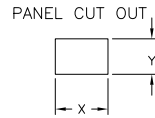
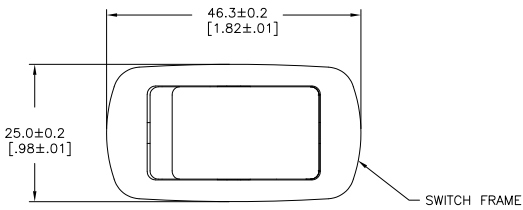
3

2

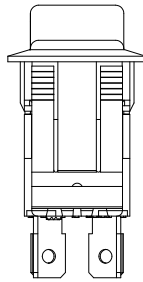
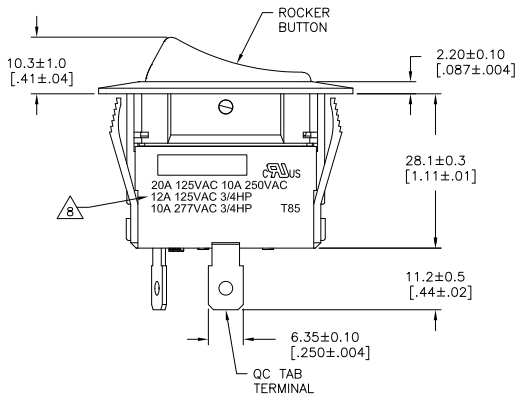
1

THIS DRAWING IS UNPUBLISHED. RELEASED FOR PUBLICATION. ALL RIGHTS RESERVED.

LOC	DIST	REVISIONS		
F	LR	DESCRIPTION	DATE	BY
AD	00			
	C3	REVISED PER ECO-11-004820	11MAR11	RK HMR

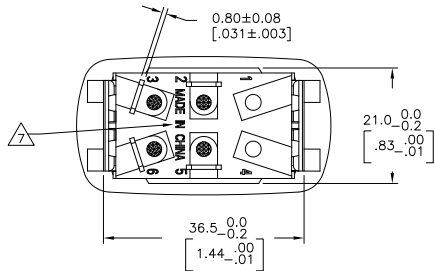
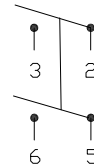


2.00-3.00 [.079-.118]	21.2±0.1 [.835±.004]	37.0±0.2 [1.457±.008]
1.25-2.00 [.049-.079]	21.2±0.1 [.835±.004]	36.8±0.2 [1.449±.008]
.075-1.25 [.030-.049]	21.2±0.1 [.835±.004]	36.6±0.2 [1.441±.008]
PANEL THICKNESS	Y	X



1571102-1 SHOWN

SWITCH FUNCTION A1
CIRCUIT DIAGRAM



DIMENSIONS		TOLERANCES UNLESS OTHERWISE SPECIFIED		MATERIAL		FINISH	
mm	[INCHES]	mm	[INCHES]				
0	PLC	±	—				
1	PLC	±	—				
2	PLC	±	—				
3	PLC	±	—				
4	PLC	±	—				
	ANGLES	±	—				

THIS DRAWING IS A CONTROLLED DOCUMENT.	DRW: M. BILNHER 25FEB2002	TE Connectivity	
CHK: D. ROHDE 16NOV05	APP: D. ROHDE 16NOV05	NAME: POWER ROCKER SWITCH, 21.2mm X 36.6mm MIN PANEL CUT-OUT SIZE	
PRODUCT SPEC: —	APPLICATION SPEC: —	DOUBLE POLE, SINGLE THROW, NON-ILLUMINATED	
WEIGHT: —	SIZE: 1 CASE CODE (DRAWING NO): A200779	RESTRICTED TO: —	
CUSTOMER DRAWING	SCALE: 2:1	SHEET: 1 of 4	REV: C3

4

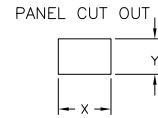
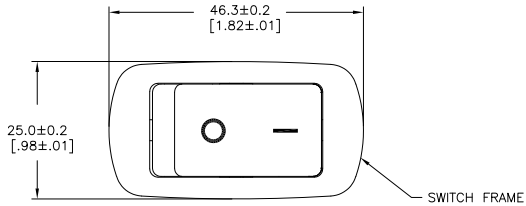
3

2

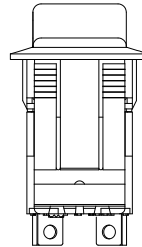
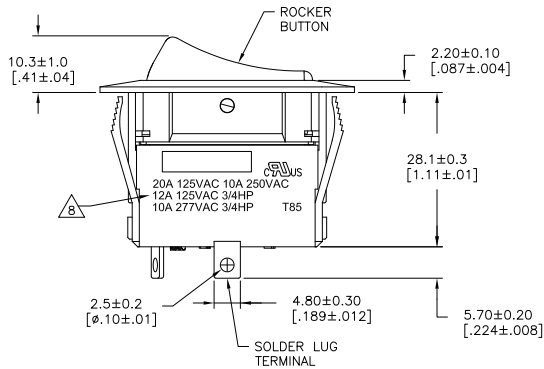
1

THIS DRAWING IS UNPUBLISHED. RELEASED FOR PUBLICATION. ALL RIGHTS RESERVED.

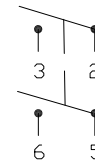
LOC	DIST	REVISIONS		
AD	00	F	LR	DATE
		-	-	SEE SHEET 1



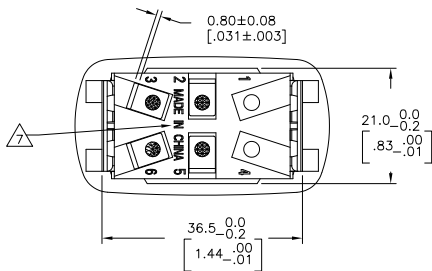
2.00-3.00	[.079-.118]	21.2+0.1	[.835+.004]	37.0+0.2	[1.457+.008]
1.25-2.00	[.049-.079]	21.2+0.1	[.835+.004]	36.8+0.2	[1.449+.008]
.075-1.25	[.030-.049]	21.2+0.1	[.835+.004]	36.6+0.2	[1.441+.008]
PANEL THICKNESS		Y		X	



SWITCH FUNCTION A1
CIRCUIT DIAGRAM



1571102-5
SHOWN



THIS DRAWING IS A CONTROLLED DOCUMENT.

DIMENSIONS: mm [INCHES]	TOLERANCES UNLESS OTHERWISE SPECIFIED: 0 PLG ± . 1 PLG ± . 2 PLG ± . 3 PLG ± . 4 PLG ± . ANGLES ± .	DRW: M. BILNER 25FEB2002 CHK: D. ROHDE 16NOV05 APP: D. ROHDE 16NOV05 PRODUCT SPEC: -- APPLICATION SPEC: -- WEIGHT: --	TE Connectivity POWER ROCKER SWITCH, 21.2mm X 36.6mm MIN PANEL CUT-OUT SIZE DOUBLE POLE, SINGLE THROW, NON-ILLUMINATED SIZE 1 CASE CODE DRAWING NO. A200779 ©=1571102 RESTRICTED TO
----------------------------	---	--	--

MATERIAL: FINISH:

CUSTOMER DRAWING SCALE: 2:1 SHEET: 2 of 4 REV: C3

4

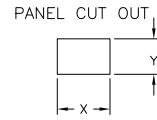
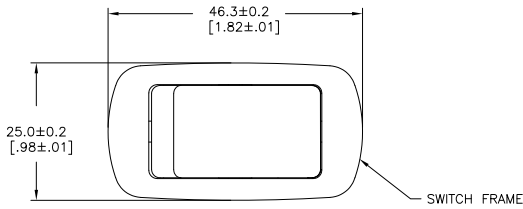
3

2

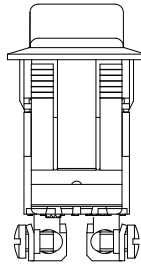
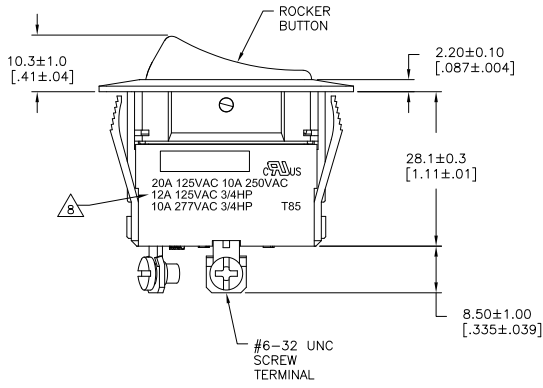
1

THIS DRAWING IS UNPUBLISHED. RELEASED FOR PUBLICATION. ALL RIGHTS RESERVED.

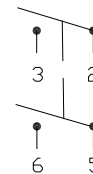
LOC	DIST	REVISIONS		
F	LR	DESCRIPTION	DATE	BY
-	-	SEE SHEET 1	-	-



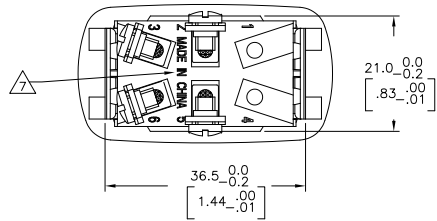
2.00-3.00	[.079-.118]	21.2+0.1	[.835+.004]	37.0+0.2	[1.457+.008]
1.25-2.00	[.049-.079]	21.2+0.1	[.835+.004]	36.8+0.2	[1.449+.008]
.075-1.25	[.030-.049]	21.2+0.1	[.835+.004]	36.6+0.2	[1.441+.008]
PANEL THICKNESS		Y		X	



SWITCH FUNCTION A1
CIRCUIT DIAGRAM



1571102-9
SHOWN



THIS DRAWING IS A CONTROLLED DOCUMENT.		DRW: M. BILNER 25FEB2002		TE Connectivity
DIMENSIONS: mm [INCHES]		CHK: D. ROHDE 16NOV05		POWER ROCKER SWITCH, 21.2mm X 36.6mm MIN PANEL CUT-OUT SIZE
TOLERANCES UNLESS OTHERWISE SPECIFIED:		APP: D. ROHDE 16NOV05	DOUBLE POLE, SINGLE THROW, NON-ILLUMINATED	
0 PLG	± .05	PRODUCT SPEC:	SIZE 1 CASE CODE DRAWING NO. RESTRICTED TO	
1 PLG	± .05	APPLICATION SPEC:	A2 00779 C=1571102	
2 PLG	± .05	WEIGHT:	SCALE: 2:1 SHEET: 3 of 4 REV: C3	
3 PLG	± .05	MATERIAL:		
4 PLG	± .05	FINISH:		
ANGLES	± .05			

4

3

2

1

THIS DRAWING IS UNPUBLISHED. RELEASED FOR PUBLICATION.
 © copyright - By - ALL RIGHTS RESERVED.

LOC	DIST	REVISIONS				
AD	00	F	LR	DATE	MIN	APD
-	-	-	-	SEE SHEET 1	-	-

1 MATERIALS:
 ROCKER BUTTON, FRAME & HOUSING: NYLON 66, UL 94 V-2.
 PLUNGER: PHENOLIC
 SEAL: SILICONE RUBBER
 SCREW TERMINAL, ACTIVE CONTACTOR, CONTACTOR SUPPORT: COPPER
 ALLOY PER ASTM B152
 QC & SOLDER TERMINAL: COPPER ALLOY PER ASTM B036
 SPRING: STEEL WIRE
 CONTACTS: SILVER-TIN OXIDE

2 FINISH:
 CONTACTOR SUPPORT, ACTIVE CONTACTOR: 1.01µm [.000040]
 MIN SILVER
 QC TERMINAL: 1.27µm [.000050] MIN NICKEL
 SOLDER TERMINAL: 1.27µm [.000050] MIN TIN

3. ELECTRICAL SPECIFICATIONS:
 CURRENT AND VOLTAGE: **6**
 CONTACT RESISTANCE (INITIAL): <50mΩ
 DIELECTRIC STRENGTH (INITIAL): >1000 VAC, 1 MINUTE
 INSULATION RESISTANCE (INITIAL): >100MΩ MIN (500VDC BETWEEN OPEN CONTACTS)
 ELECTRICAL LIFE ENDURANCE: >6000 OPERATIONS, VOLTAGE DROP: <100mV
 TEMPERATURE RISE AT TERMINALS: <30°C, 6000 OPERATIONS
 (AMBIENT CONDITIONS: 25±2°C AND 65±5%RH)

4. MECHANICAL SPECIFICATIONS:
 ACTUATING FORCE: 1100g MIN, 1900g MAX
 OPERATING LIFE ENDURANCE: >100,000 OPERATIONS
 TERMINAL RETENTION FORCE: >9kg- SOLDER LUG
 >9kg- QC TAB
 >6.8kg- #6-32 UNC SCREW TERMINAL

5. ENVIRONMENTAL SPECIFICATIONS:
 AMBIENT TEMPERATURE: -20°C TO +85°C
 DEGREE OF PROTECTION: IP66

6 20A 125VAC, 10A 250VAC/12A 125VAC, 3/4HP/ 10A 277VAC, 3/4HP

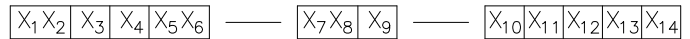
7 COUNTRY OF ORIGIN AND TERMINAL IDENTIFICATION NUMBERS
 MOLDED APPROXIMATELY AS SHOWN ON THE SWITCH HOUSING.

8 ELECTRICAL RATINGS, APPROVED AGENCY LOGOS AND THE TE
 CONNECTIVITY LOGO INK MARKED APPROXIMATELY AS SHOWN ON
 THE SWITCH HOUSING.

9. COMPONENT RECOGNIZED TO US & CANADIAN STANDARDS,
 UL FILE NO. E46765.

10. ROHS 2002/95/EC COMPLIANT

ALCOSWITCH PART NUMBER



SWITCH TYPE: X1 X2 = **PR** - POWER ROCKER
 PANEL CUT OUT SIZE: X3 = **C** - 21.2x36.6 MIN
 [.835x1.441]
 NUMBER OF POLES: X4 = **D** - DOUBLE
 SWITCH FUNCTION: X5 X6 =
A1-ON-OFF, WITH OPAQUE, SINGLE-COLOR
 ROCKER BUTTON.

CURRENT RATING: X7 X8 = **20** - **6**
 TERMINAL TYPE: X9 = **E** - QC TAB
L - SOLDER LUG
S - #6-32 UNC SCREW

FRAME COLOR: X10 = **B** - BLACK
W - WHITE

ROCKER COLOR: X11 = **B** - BLACK
G - GREEN
R - RED
W - WHITE
Y - YELLOW

SECONDARY ROCKER COLOR: X12 = **Ø** - NOT APPLICABLE

LEGEND TEXT PATTERN: X13 =

LEGEND TEXT COLOR: X14 = **Ø** - NOT APPLICABLE
G - GREEN
R - RED
B - BLACK
W - WHITE

3	PRCDA1-20S-BB0CW	1-1571102-1
3	PRCDA1-20S-BB0BW	1-1571102-0
3	PRCDA1-20S-BB000	1571102-9
2	PRCDA1-20L-BR000	1571102-8
1	PRCDA1-20F-BR000	1571102-7
2	PRCDA1-20L-BB0CW	1571102-6
2	PRCDA1-20L-BB0BW	1571102-5
2	PRCDA1-20L-BB000	1571102-4
1	PRCDA1-20F-BB0CW	1571102-3
1	PRCDA1-20F-BB0BW	1571102-2
1	PRCDA1-20F-BB000	1571102-1
SHEET REF	ALCOSWITCH PART NUMBER	TYCO PART NUMBER

THIS DRAWING IS A CONTROLLED DOCUMENT. DIM M. BILNHER 25FEB2002
 CHK. D. ROHDE 16NOV05
 D. ROHDE 16NOV05
 NAME: POWER ROCKER SWITCH, 21.2mm X 36.6mm MIN
 PRODUCT SPEC: PANEL CUT-OUT SIZE
 APPLICATION SPEC: DOUBLE POLE, SINGLE THROW, NON-ILLUMINATED
 WEIGHT: A2.00779g ©=1571102
 SIZE: 1 CASE CODE (DRAWING NO) RESTRICTED TO
 CUSTOMER DRAWING SCALE: 2:1 SHEET: 4 of 4 REV: C3