

- ALL MATERIALS AND FINISHES SHALL COMPLY WITH EU DIRECTIVE 2002/95/EC OF 27JAN2003 (ROHS).
- G CONTACT OPTION CAN BE USED FOR SIGNAL OR POWER LEVEL SWITCHING. IF SWITCH IS USED AT LEVELS EXCEEDING .4VA @ 20V AC/DC, SWITCH IS RENDERED FOR POWER SWITCHING ONLY DUE TO ARC REMOVAL OF GOLD PLATING. RATING STAMPED ON THE SWITCH IS 2A 250VAC, 5A 120VAC.
- TE CONNECTIVITY LOGO PER PER TEC-202-36.
- SP3T FUNCTION ACHIEVED WITH FUNCTIONS 11, 13, & 15 BY CUSTOMER APPLIED JUMPER BETWEEN TERMINALS 3 & 5.
- DATE CODE AND COUNTRY OF ORIGIN MAY APPEAR ON EITHER SIDE OF SWITCH.
- PANEL MOUNT BRACKET SUPPLIED WITH TERMINALS W, Z AND Z3 ONLY.

FUNCTION CHART			
FUNCTION			
01	ON	NONE	ON
03	ON	OFF	ON
05	(ON)	OFF	(ON)
07	ON	OFF	(ON)
08	ON	NONE	(ON)
TERMINALS CONNECTED	2-3, 5-6	---	1-2, 4-5
11	ON	ON	ON
13	ON	ON	(ON)
15	(ON)	ON	(ON)
TERMINALS CONNECTED	2-3, 5-6	2-3, 4-5	1-2, 4-5
SP3T SCHEMATIC (11, 13 & 15 ONLY) NOTE 5			
	IN 2, OUT 6	IN 2, OUT 4	IN 2, OUT 1

NONE: NO MECHANICAL POSITION  
 OFF: MECHANICAL POSITION WITH NO ELECTRICAL CONNECTION  
 (ON): MOMENTARY ACTION

SPECIFICATIONS	
RATING, B CONTACTS	.4VA MAX @20V MAX. AC OR DC
RATING, G CONTACTS—SEE NOTE 2	.4VA MAX @20V MAX. AC OR DC OR
	5A @120 VAC OR 28 VDC (RESISTIVE)
RATING, Q CONTACTS	2A @250 VAC (RESISTIVE)
	5A @120 VAC OR 28 VDC (RESISTIVE)
ELECTRICAL LIFE	2A @250 VAC (RESISTIVE)
	6,000 CYCLES AT RATED LOAD
CONTACT RESISTANCE	10 MILLIOHMS MAX INITIAL @ 2-4VDC, 100MA
INSULATION RESISTANCE	1,000 MEGOHMS MIN
DIELECTRIC WITHSTANDING VOLTAGE	1,000 V RMS AT SEA LEVEL
OPERATING TEMPERATURE	-30C TO 85C

PART NUMBER SEQUENCE							
MODEL	FUNCTION	ACTUATOR	TERMINAL	CONTACT	ACTUATOR COLOR	FRAME COLOR	ROHS
A2	01	J1	A	B	0 BLACK (STD)	0 BLACK (STD)	04
	03	J3	AV2	G	1 BROWN	1 BROWN	
	05	J50	C	Q	2 RED	2 RED	
	07	J51	V3		3 ORANGE	3 ORANGE	
	08	J52	V4		4 YELLOW	4 YELLOW	
	11	J2	V7		5 GREEN	5 GREEN	
	13	J4	W		6 BLUE	6 BLUE	
	15	J60	W4		8 GRAY	8 GRAY	
		J61	Z		9 WHITE	9 WHITE	
		J62	Z3				

THIS DRAWING IS A CONTROLLED DOCUMENT.

TE Connectivity

GEMINI A SERIES ROCKER SWITCH  
DOUBLE POLE

APD: M. ZITTO

SIZE: A2 CASE CODE: C=1571987 DRAWING NO: 1571987

CUSTOMER DRAWING SCALE: 2:1 SHEET: 1 of 5 REV: A5

4

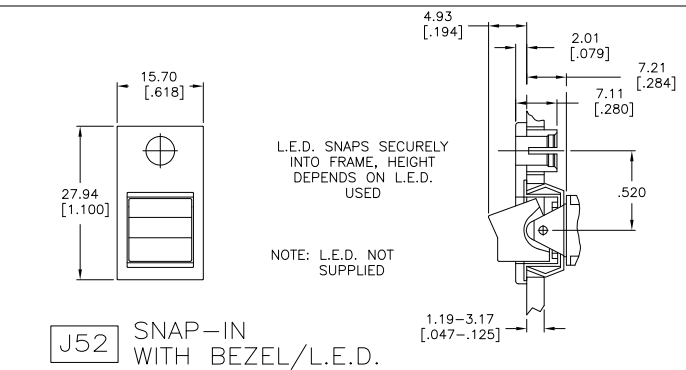
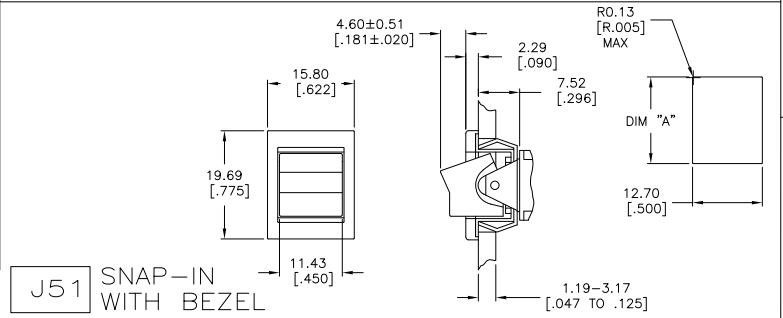
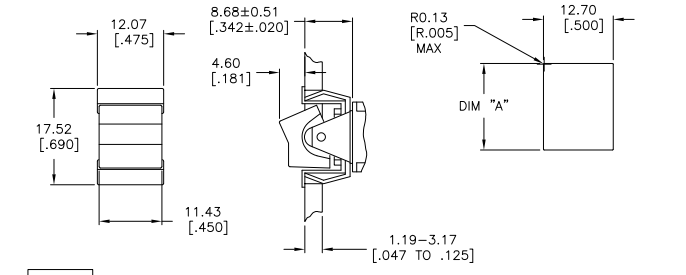
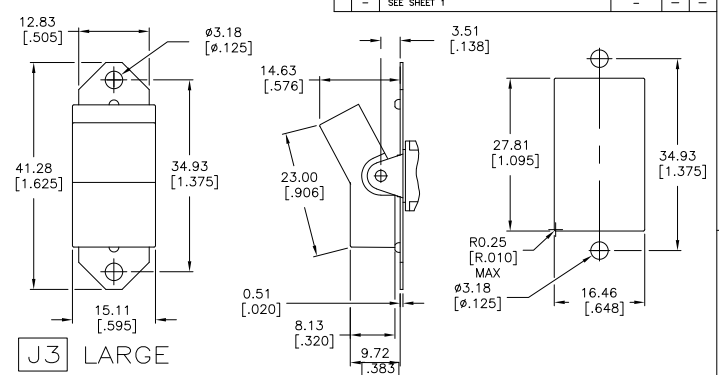
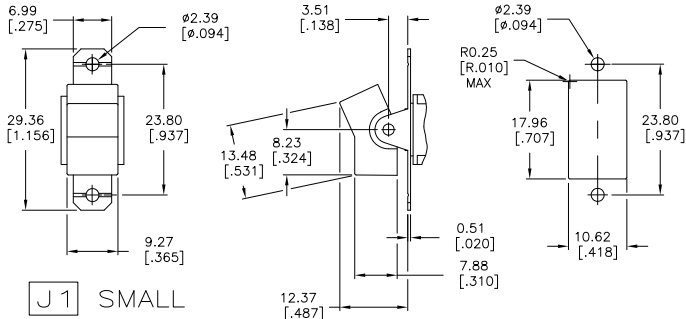
3

2

1

THIS DRAWING IS UNPUBLISHED. RELEASED FOR PUBLICATION. ALL RIGHTS RESERVED.

LOC	DIST	REVISIONS					
AD	00	F	LR	DESCRIPTION	DATE	BY	APPD
-	-	-	-	SEE SHEET 1	-	-	-



1.52-3.17 [0.060-.125]	15.75-15.87 [0.620-.625]
1.19-1.50 [0.047-.059]	15.72 [0.619]
PANEL THICKNESS	DIM "A"

THIS DRAWING IS A CONTROLLED DOCUMENT.

DIMENSIONS: mm [INCHES]	DESIGNS: M. BINNER	DESIGNS: M. ZITTO	DESIGNS: M. ZITTO
TOLERANCES UNLESS OTHERWISE SPECIFIED:	0 PLG ± .	1 PLG ± .	2 PLG ± .010
	3 PLG ± .	4 PLG ± .	ANGLES ± °
MATERIAL: FINISH	APPLICATION SPEC: -	SIZE: A2	ORIG. CODE: 00779
	WEIGHT: -	DRAWING NO: 1571987	RESTRICTED TO: -
	CUSTOMER DRAWING	SCALE: 2:1	SHEET: 2 of 5

TE Connectivity  
GEMINI A SERIES ROCKER SWITCH  
DOUBLE POLE

4

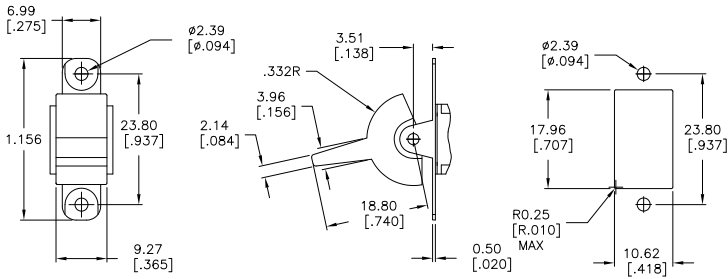
3

2

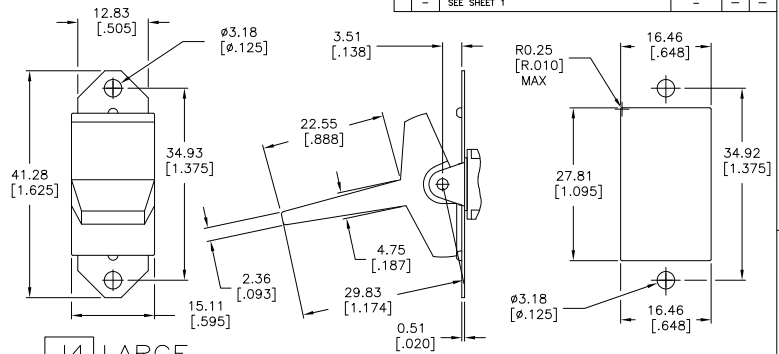
1

THIS DRAWING IS UNPUBLISHED. RELEASED FOR PUBLICATION  
 © COPYRIGHT - By - ALL RIGHTS RESERVED.

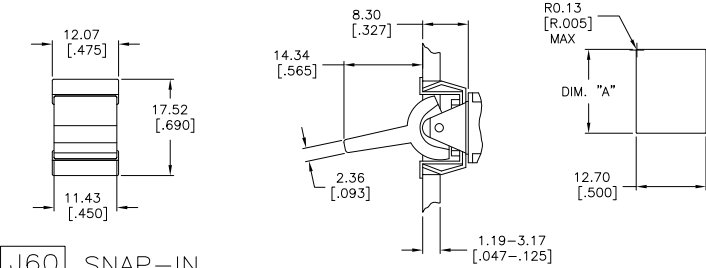
LOC	DIST	REVISIONS					
AD	00	F	LR	DESCRIPTION	DATE	DRN	APD
-	-	-	-	SEE SHEET 1	-	-	-



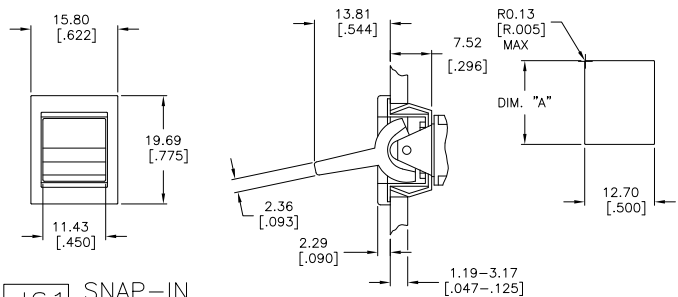
J2 SMALL



J4 LARGE

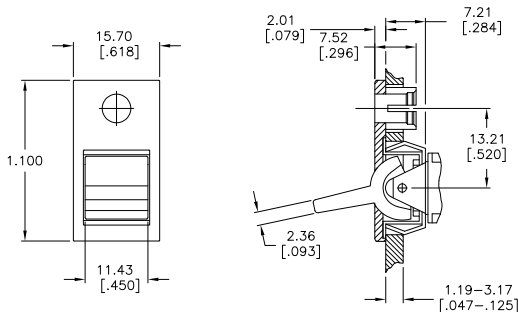


J60 SNAP-IN



J61 SNAP-IN WITH BEZEL

1.52-3.17 [.060-.125]	15.75-15.87 [.620-.625]
1.19-1.50 [.047-.059]	15.72 [.619]
PANEL THICKNESS	
DIM "A"	



J62 SNAP-IN WITH BEZEL/L.E.D.

NOTE: L.E.D. NOT SUPPLIED

DIMENSIONS		TOLERANCES UNLESS OTHERWISE SPECIFIED		APPROVALS		TE Connectivity	
mm	[INCHES]	PLC	FINISH	CHK	DESIGNS	TE Connectivity	
0	PLC	±	—	M. BINNER	DESIGNS	GEMINI A SERIES ROCKER SWITCH DOUBLE POLE	
1	PLC	±	—	M. ZITTO	DESIGNS	APPLICATION SPEC: —	
2	PLC	±	—	M. ZITTO	DESIGNS	PRODUCT SPEC: —	
3	PLC	±	010	—	—	SIZE CASE CODE DRAWING NO: —	
4	PLC	±	°	—	—	WEIGHT: —	
MATERIAL: —		FINISH: —		CUSTOMER DRAWING		SCALE: 2:1 SHEET 3 of 5 REV: A5	

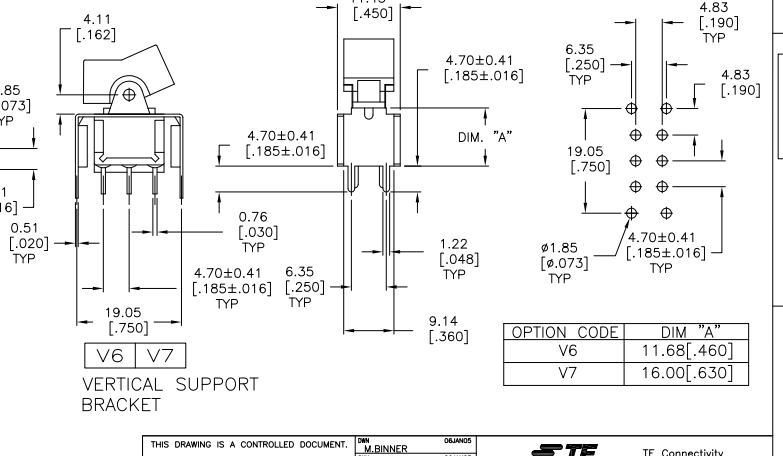
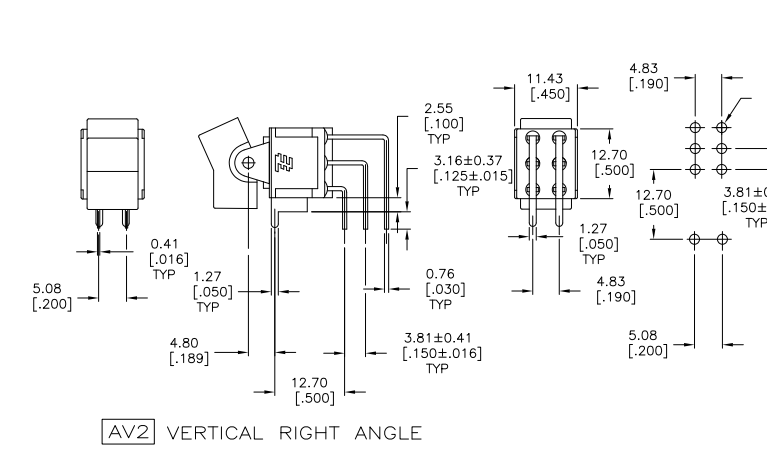
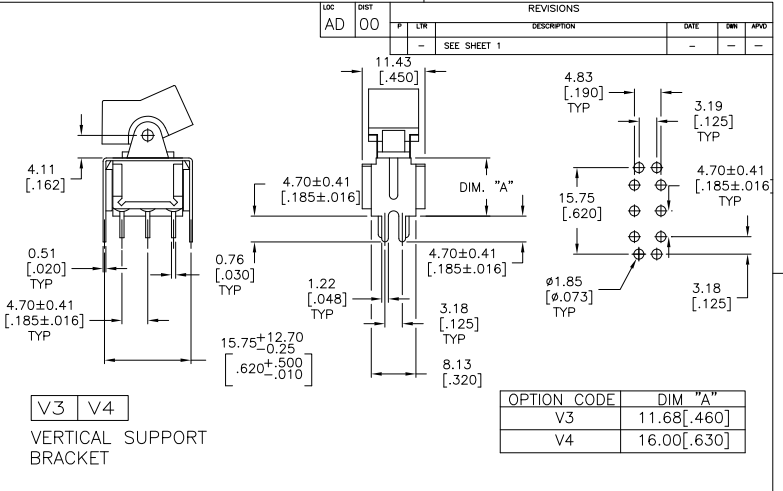
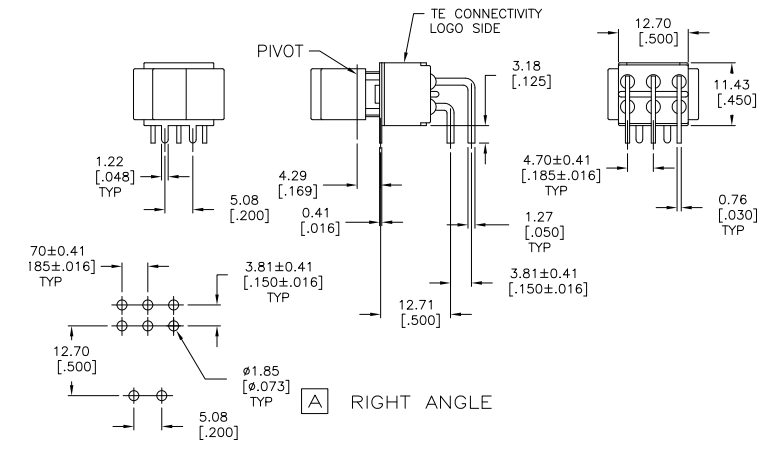
4

3

2

1

THIS DRAWING IS UNPUBLISHED. RELEASED FOR PUBLICATION. ALL RIGHTS RESERVED.



AV2 VERTICAL RIGHT ANGLE

V6 V7 VERTICAL SUPPORT BRACKET

THIS DRAWING IS A CONTROLLED DOCUMENT. DIM: M. BINNER, OSANDS; CHK: M. ZITTO, OSANDS; APPR: M. ZITTO, OSANDS; NAME: GEMINI A SERIES ROCKER SWITCH DOUBLE POLE. APPLICATION SPEC: -; SIZE: A2; CASE CODE: 00779; DRAWING NO: 1571987; RESTRICTED TO: -; MATERIAL: -; FINISH: -; CUSTOMER DRAWING; SCALE: 2:1; SHEET: 4 of 5; REV: A5.

4

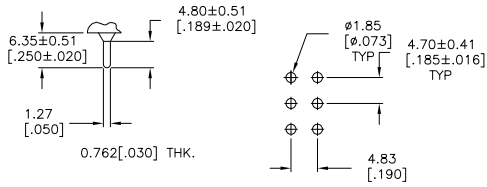
3

2

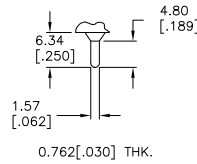
1

THIS DRAWING IS UNPUBLISHED. RELEASED FOR PUBLICATION. ALL RIGHTS RESERVED.

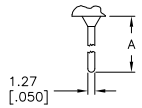
LOC	DIST	REVISIONS				
AD	00	F	LW	DATE	BY	APPD
-	-	-	-	SEE SHEET 1	-	-



C PRINTED CIRCUIT



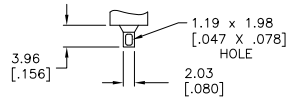
Z3 QUICK CONNECT



0.762 [.030] THK.

W W4 WIRE WRAP

OPTION	DIM A
W	18.69 [.736]
W4	26.97 [1.062]



0.762 [.030] THK.

Z WIRE LUG

MATERIALS CHART

COMPONENT NAME	BASE MATERIAL	FINISH
CASE	DAP, RED, UL94 V-0	
FRAME	STAINLESS STEEL	
B TERMINALS & CONTACTS	COPPER	GOLD OVER NICKEL
G TERMINALS & CONTACTS	COPPER	GOLD OVER SILVER
Q TERMINALS & CONTACTS	COPPER	SILVER
ACTUATOR	PHENOLIC, BLACK, UL94 V-1	
ROCKER CAP	NYLON, BLACK, UL94 V-1	
BUSHING & ACTUATOR LEVER	ZINC ALLOY	NICKEL
SPRING	MUSIC WIRE	
SUPPORT BRACKET	BRASS	TIN
PIVOT PIN	STEEL	NICKEL
TERMINAL SEAL	EPOXY, UL94 V-1	

A213J61ZQ0004	4-1571987-4
A211J51ZQ0004	4-1571987-3
A208J61ZQ0004	4-1571987-2
A208J51ZQ0004	4-1571987-1
A208J1V3Q004	4-1571987-0
NOT ASSIGNED	3-1571987-9
A207J61ZQ0004	3-1571987-8
A207J51ZQ0004	3-1571987-7
A207J3ZQ004	3-1571987-6
A207J1ZQ004	3-1571987-5
A205J61ZQ0004	3-1571987-4
A205J51ZQ0004	3-1571987-3
A205J2ZQ004	3-1571987-2
A205JZC0004	3-1571987-1
A205J1ZQ004	3-1571987-0
A205J1AV2Q004	2-1571987-9
NOT ASSIGNED	2-1571987-8
A203J61ZQ0004	2-1571987-7
A203J51ZQ0004	2-1571987-6
NOT ASSIGNED	2-1571987-5
A203J1ZQ004	2-1571987-4
NOT ASSIGNED	2-1571987-3
A203J1CQ204	2-1571987-2
A203J1AV2Q004	2-1571987-1
A203J1AQ004	2-1571987-0
A201J61ZQ0004	1-1571987-9
A201J61Z3Q0004	1-1571987-8
A201J51ZQ9904	1-1571987-7
NOT ASSIGNED	1-1571987-6
A201J51ZQ0004	1-1571987-5
A201J50Z0004	1-1571987-4
A201J50AV2Q004	1-1571987-3
A201J50AV2Q004	1-1571987-2
A201J3ZQ004	1-1571987-1
A201J3ZB004	1-1571987-0
A201J2ZQ004	1571987-9
A201J2CQ004	1571987-8
A201J1ZQ004	1571987-7
A201J1V3Q004	1571987-6
A201J1CQ004	1571987-5
A201J1AV2Q004	1571987-4
A201J1AQ204	1571987-3
A201J1AQ004	1571987-2
NOT ASSIGNED	1571987-1
ALCO P/N	P/N

THIS DRAWING IS A CONTROLLED DOCUMENT.

DIM: M. BINNER	DESIGNS	 TE Connectivity
CHK: M. ZITTO	DESIGNS	
APPD: M. ZITTO	DESIGNS	

PRODUCT SPEC: GEMINI A SERIES ROCKER SWITCH DOUBLE POLE

APPLICATION SPEC: -

SIZE: A2 CASE CODE: C=1571987

WEIGHT: -

CUSTOMER DRAWING SCALE: 2:1 SHEET 5 of 5 REV: A5

1571987

A

A5