

4

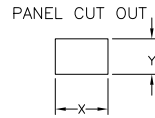
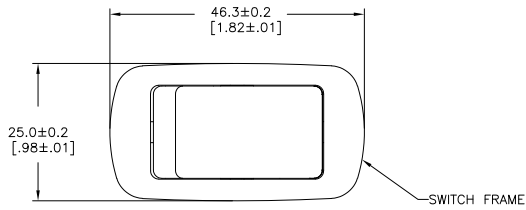
3

2

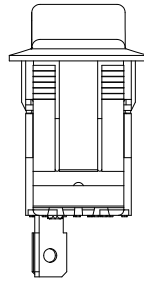
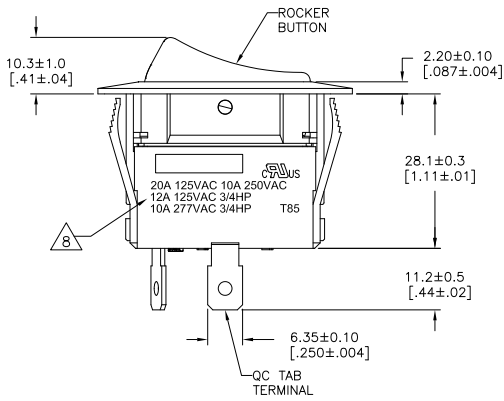
1

THIS DRAWING IS UNPUBLISHED. RELEASED FOR PUBLICATION. ALL RIGHTS RESERVED.

LOC	DIST	REVISIONS		
F	LNK	DESCRIPTION	DATE	BY
AD	00			
	C3	REVISED PER ECO-11-004820	11MAR11	RK HMR

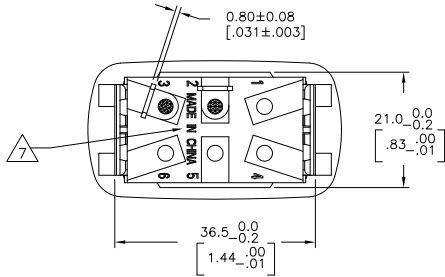


2.00-3.00	[.079-.118]	21.2+0.1	[.835+.004]	37.0+0.2	[1.457+.008]
1.25-2.00	[.049-.079]	21.2+0.1	[.835+.004]	36.8+0.2	[1.449+.008]
.075-1.25	[.030-.049]	21.2+0.1	[.835+.004]	36.6+0.2	[1.441+.008]
PANEL THICKNESS		Y		X	



1571095-1 SHOWN

SWITCH FUNCTION A1
CIRCUIT DIAGRAM



DIMENSIONS:		TOLERANCES UNLESS OTHERWISE SPECIFIED:		DWG		REV	
mm	[INCHES]	PLC	PLC	DATE	BY	DATE	BY
0	PLC	±	±	25FEB2002	M. BILNER	16NOV05	D. ROHDE
1	PLC	±	±				
2	PLC	±	±				
3	PLC	±	±				
4	PLC	±	±				
MATERIAL		FINISH		NAME		TE Connectivity	
1		2		POWER ROCKER SWITCH, 21.2mm X 36.6mm MIN		RESTRICTED TO	
				PANEL CUT-OUT SIZE			
				SINGLE POLE, SINGLE THROW, NON-ILLUMINATED			
				SIZE: 1 CASE CODE (DRAWING NO)			
				A2 00779 C=1571095			
				CUSTOMER DRAWING		SCALE: 2:1 SHEET 1 of 4 REV C3	

1471-9 (3/11)

1571095

A

4

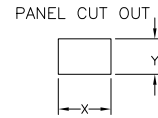
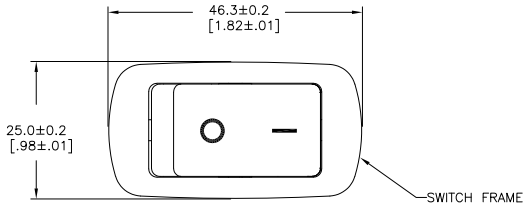
3

2

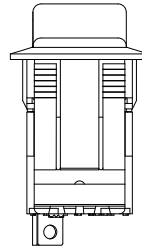
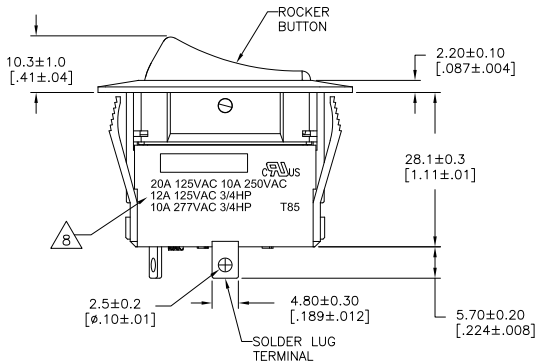
1

THIS DRAWING IS UNPUBLISHED. RELEASED FOR PUBLICATION. ALL RIGHTS RESERVED.

LOC	DIST	REVISIONS		
F	LNK	DESCRIPTION	DATE	BY
-	-	SEE SHEET 1	-	-



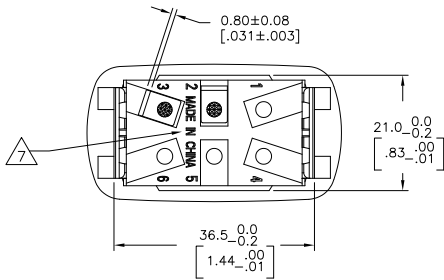
2.00-3.00	-.079-.118	21.2+0.1	-.835+.004	37.0+0.2	1.457+.008
1.25-2.00	-.049-.079	21.2+0.1	-.835+.004	36.8+0.2	1.449+.008
.075-1.25	-.030-.049	21.2+0.1	-.835+.004	36.6+0.2	1.441+.008
PANEL THICKNESS		Y		X	



SWITCH FUNCTION A1
CIRCUIT DIAGRAM



1571095-5
SHOWN



THIS DRAWING IS A CONTROLLED DOCUMENT.		DRW M. BILNER	25FEB2002		TE Connectivity
DIMENSIONS: mm [INCHES]		CHK D. ROHDE	16NOV05		POWER ROCKER SWITCH, 21.2mm X 36.6mm MIN PANEL CUT-OUT SIZE SINGLE POLE, SINGLE THROW, NON-ILLUMINATED
TOLERANCES UNLESS OTHERWISE SPECIFIED:		APP D. ROHDE	16NOV05	SIZE 1 CASE CODE DRAWING NO	
0 PLG	± .	PROD ---	---	RESTRICTED TO	
1 PLG	± .	APP ---	---	A2 00779 ©=1571095	
2 PLG	± .	APP ---	---	SCALE 2:1 SHEET 2 of 4 REV C3	
3 PLG	± .	APP ---	---		
4 PLG	± .	APP ---	---		
ANGLES	± .	APP ---	---		
MATERIAL	---	APP ---	---		
FINISH	---	APP ---	---		

4

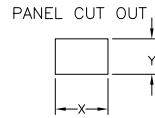
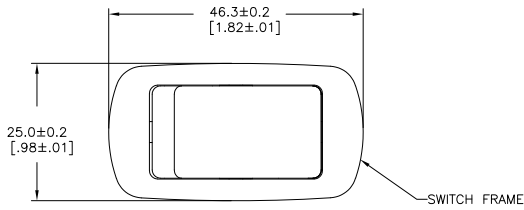
3

2

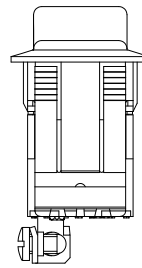
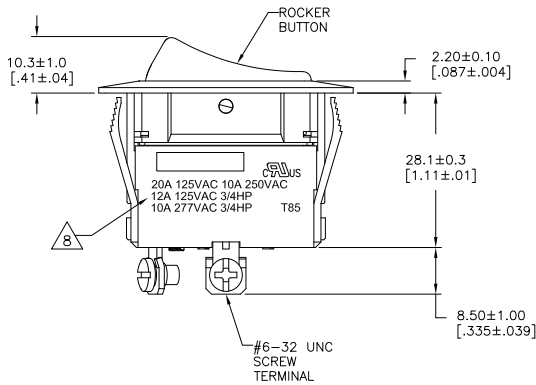
1

THIS DRAWING IS UNPUBLISHED. RELEASED FOR PUBLICATION. ALL RIGHTS RESERVED.

LOC	DIST	REVISIONS		DATE	BY	APPD
AD	00	F	LR			
				SEE SHEET 1		



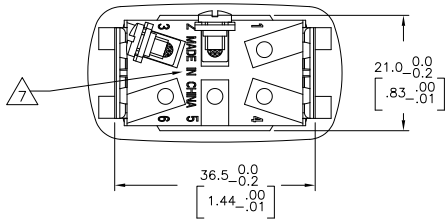
2.00-3.00	[.079-.118]	21.2+0.1	[.835+.004]	37.0+0.2	[1.457+.008]
1.25-2.00	[.049-.079]	21.2+0.1	[.835+.004]	36.8+0.2	[1.449+.008]
.075-1.25	[.030-.049]	21.2+0.1	[.835+.004]	36.6+0.2	[1.441+.008]
PANEL THICKNESS		Y		X	



SWITCH FUNCTION A1
CIRCUIT DIAGRAM



1571095-9
SHOWN



DIMENSIONS		TOLERANCES UNLESS OTHERWISE SPECIFIED		DW		TE Connectivity	
mm	[INCHES]	0	PLC	+	-	DRW	M. BINNER
		1	PLC	±	±	CHK	D. ROHDE
		2	PLC	±	±	DATE	16NOV05
		3	PLC	±	±	NAME	D. ROHDE
		4	PLC	±	±	PRODUCT SPEC	16NOV05
			ANGLES	±	±	APPLICATION SPEC	
						WEIGHT	
MATERIAL						SIZE	A2 00779 C=1571095
FINISH						RESTRICTED TO	
						CUSTOMER DRAWING	
						SCALE	2:1
						SHEET	3 of 4
						REV	C3

4

3

2

1

THIS DRAWING IS UNPUBLISHED. RELEASED FOR PUBLICATION. ALL RIGHTS RESERVED.

LOC	DIST	REVISIONS					
AD	00	F	LNK	DESCRIPTION	DATE	BY	APPD
-	-	-	-	SEE SHEET 1	-	-	-

1. **MATERIALS:**
 ROCKER BUTTON, FRAME & HOUSING: NYLON 66, UL 94 V-2.
 PLUNGER: PHENOLIC
 SEAL: SILICONE RUBBER
 SCREW TERMINAL, ACTIVE CONTACTOR, CONTACTOR SUPPORT: COPPER ALLOY PER ASTM B152
 QC & SOLDER TERMINAL: COPPER ALLOY PER ASTM B036
 SPRING: STEEL WIRE
 CONTACTS: SILVER-TIN OXIDE

2. **FINISH:**
 CONTACTOR SUPPORT, ACTIVE CONTACTOR: 1.01µm [.000040] MIN SILVER
 QC TERMINAL: 1.27µm [.000050] MIN NICKEL
 SOLDER TERMINAL: 1.27µm [.000050] MIN TIN

3. **ELECTRICAL SPECIFICATIONS:**
 CURRENT AND VOLTAGE: $\Delta 6$
 CONTACT RESISTANCE (INITIAL): <50mΩ
 DIELECTRIC STRENGTH (INITIAL): >1000 VAC, 1 MINUTE
 INSULATION RESISTANCE (INITIAL): >100MΩ MIN (500VDC BETWEEN OPEN CONTACTS)
 ELECTRICAL LIFE ENDURANCE: >6000 OPERATIONS, VOLTAGE DROP: <100mV
 TEMPERATURE RISE AT TERMINALS: <30°C, 6000 OPERATIONS
 (AMBIENT CONDITIONS: 25±2°C AND 65±5%RH)

4. **MECHANICAL SPECIFICATIONS:**
 ACTUATING FORCE: 400g MIN, 1200g MAX
 OPERATING LIFE ENDURANCE: >100,000 OPERATIONS
 TERMINAL RETENTION FORCE: >9kg- SOLDER LUG
 >9kg- QC TAB
 >6.8kg- #6-32 SCREW

5. **ENVIRONMENTAL SPECIFICATIONS:**
 AMBIENT TEMPERATURE: -20°C TO +85°C
 DEGREE OF PROTECTION: IP66

6. 20A 125VAC, 10A 250VAC/12A 125VAC, 3/4HP/ 10A 277VAC, 3/4HP

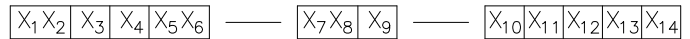
7. COUNTRY OF ORIGIN AND TERMINAL IDENTIFICATION NUMBERS MOLDED APPROXIMATELY AS SHOWN ON THE SWITCH HOUSING.

8. ELECTRICAL RATINGS, APPROVED AGENCY LOGOS AND THE TE CONNECTIVITY LOGO INK MARKED APPROXIMATELY AS SHOWN ON THE SWITCH HOUSING.

9. COMPONENT RECOGNIZED TO US & CANADIAN STANDARDS, UL FILE NO. E46765.

10. ROHS 2002/95/EC COMPLIANT

ALCOSWITCH PART NUMBER



SWITCH TYPE: X1 X2 = PR - POWER ROCKER
 PANEL CUT OUT SIZE: X3 = C - 21.2x36.6 MIN
 [.835x1.441]
 NUMBER OF POLES: X4 = S - SINGLE
 SWITCH FUNCTION: X5 X6 = A1-ON-OFF, WITH OPAQUE, SINGLE-COLOR ROCKER BUTTON.

SECONDARY ROCKER COLOR: X12 = Ø - NOT APPLICABLE

LEGEND TEXT PATTERN: X13 =

CURRENT RATING: X7 X8 = 20 - $\Delta 6$
 TERMINAL TYPE: X9 = E - QC TAB
 L - SOLDER LUG
 S - #6-32 UNC SCREW

LEGEND TEXT COLOR: X14 = Ø - NOT APPLICABLE
 G - GREEN
 R - RED
 B - BLACK
 W - WHITE

FRAME COLOR: X10 = B - BLACK
 W - WHITE
 ROCKER COLOR: X11 = B - BLACK
 G - GREEN
 R - RED
 W - WHITE
 Y - YELLOW

3	PRCSA1-20S-BB0CW	1-1571095-1
3	PRCSA1-20S-BB0BW	1-1571095-0
3	PRCSA1-20S-BB000	1571095-9
2	PRCSA1-20L-BR000	1571095-8
1	PRCSA1-20F-BR000	1571095-7
2	PRCSA1-20L-BB0CW	1571095-6
2	PRCSA1-20L-BB0BW	1571095-5
2	PRCSA1-20L-BB000	1571095-4
1	PRCSA1-20F-BB0CW	1571095-3
1	PRCSA1-20F-BB0BW	1571095-2
1	PRCSA1-20F-BB000	1571095-1
SHEET REF	ALCOSWITCH PART NUMBER	PART NUMBER

THIS DRAWING IS A CONTROLLED DOCUMENT. DIM M. BILNER 25FEB2002

DIMENSIONS: mm [INCHES]	TOLERANCES UNLESS OTHERWISE SPECIFIED:	CHK. D. ROHDE 16NOV05	NAME: D. ROHDE
Ø PLC ± .05	PLC ± .05	APP. D. ROHDE 16NOV05	PRODUCT SPEC: POWER ROCKER SWITCH, 21.2mm X 36.6mm MIN PANEL CUT-OUT SIZE
1 PLC ± .05	PLC ± .05	APPLICATION SPEC: -	SINGLE POLE, SINGLE THROW, NON-ILLUMINATED
2 PLC ± .05	PLC ± .05	WEIGHT: -	SIZE 1 CASE CODE DRAWING NO. RESTRICTED TO
3 PLC ± .05	PLC ± .05		A2 00779 C=1571095
4 PLC ± .05	PLC ± .05		
ANGLES ± .5			

MATERIAL: $\Delta 1$ FINISH: $\Delta 2$

CUSTOMER DRAWING SCALE: 2:1 SHEET 4 of 4 REV: C3